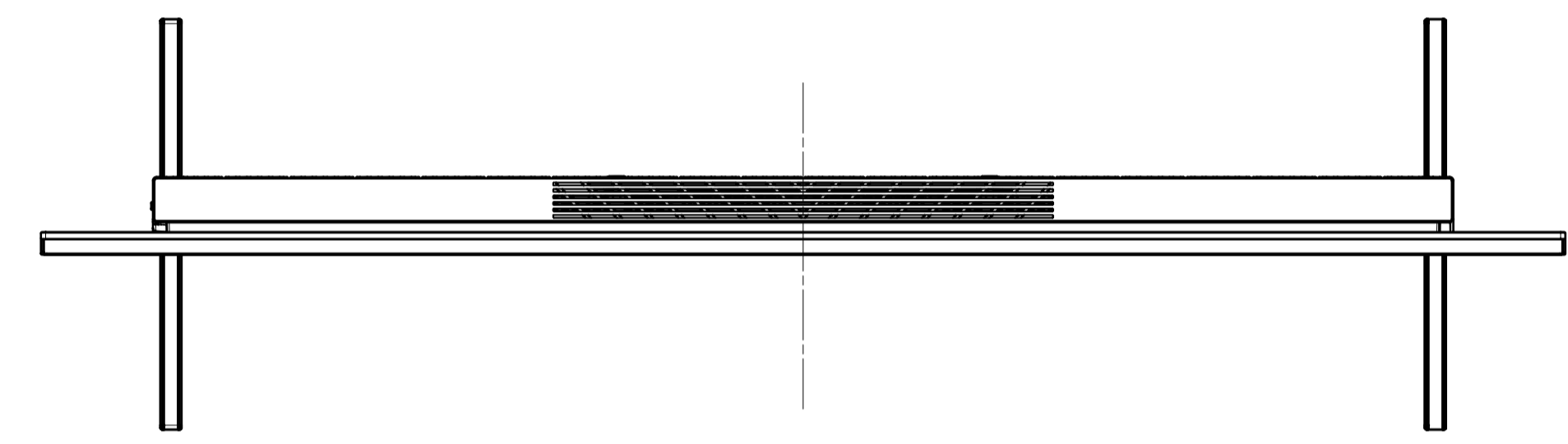


Area	JAPAN	NORTH AMERICA	LATIN AMERICA	EUROPE	GENERAL AREA	CHINA	
Model Name	XRJ-55A80J	XR-55A80J	XR-55A80J	XR-55A80J	XR-55A80J	XR-55A80J	
SV No.	SV-39374	SV-39182	SV-39199	SV-39348	SV-39231	SV-39307	
DIMENSION	TV only (W x H x D)	122.7 x 71.2 x 5.3 (0.59) cm	1227 x 712 x 53 (5.9) mm / 48 3/8 x 28 1/8 x 2 1/8 (1/4) inch	1227 x 712 x 53 (5.9) mm	Approx. 122.7 x 71.2 x 5.3 (0.59) cm	Approx. 1227 x 712 x 53 (5.9) mm	Approx. 1227 x 712 x 53 (5.9) mm
	TV with Stand (Standard position) (W x H x D)	122.7 x 73.5 x 33.0 cm	1227 x 735 x 330 mm / 48 3/8 x 29 x 13 inch	1227 x 735 x 330 mm	Approx. 122.7 x 73.5 x 33.0 cm	Approx. 1227 x 735 x 330 mm	Approx. 1227 x 735 x 330 mm
	TV with Stand (Narrow position) (W x H x D)	122.7 x 73.5 x 33.0 cm	1227 x 735 x 330 mm / 48 3/8 x 29 x 13 inch	1227 x 735 x 330 mm	Approx. 122.7 x 73.5 x 33.0 cm	Approx. 1227 x 735 x 330 mm	Approx. 1227 x 735 x 330 mm
	TV with Stand (Soundbar position) (W x H x D)	122.7 x 78.4 x 33.0 cm	1227 x 784 x 330 mm / 48 3/8 x 30 7/8 x 13 inch	1227 x 784 x 330 mm	Approx. 122.7 x 78.4 x 33.0 cm	Approx. 1227 x 784 x 330 mm	Approx. 1227 x 784 x 330 mm
	TV with Floor Stand (W x H x D)	-	-	-	-	-	-
	Stand Width (Standard position)	103.4 cm	1034 mm / 40 3/4 inch	1034 mm	Approx. 103.4 cm	Approx. 1034 mm	Approx. 1034 mm
	Stand Width (Narrow position)	69.2 cm	692 mm / 27 1/4 inch	692 mm	Approx. 69.2 cm	Approx. 692 mm	Approx. 692 mm
	Stand Width (Soundbar position)	103.6 cm	1036 mm / 40 7/8 inch	1036 mm	Approx. 103.6 cm	Approx. 1036 mm	Approx. 1036 mm
	Floor Stand Width	-	-	-	-	-	-
	VESA Hole Pitch	30.0 x 30.0 cm	300 x 300 mm / 11 7/8 x 11 7/8 inch	300 x 300 mm	30.0 x 30.0 cm	300 x 300 mm	300 x 300 mm
WEIGHT	TV Only	17.8 kg	17.8 kg / 39.3 lb	17.8 kg	Approx. 17.8 kg	Approx. 17.8 kg	Approx. 17.8 kg
	TV with Stand (Standard position)	19 kg	19 kg / 41.9 lb	19 kg	Approx. 19 kg	Approx. 19 kg	Approx. 19 kg
	TV with Stand (Narrow position)	19 kg	19 kg / 41.9 lb	19 kg	Approx. 19 kg	Approx. 19 kg	Approx. 19 kg
	TV with Stand (Soundbar position)	19 kg	19 kg / 41.9 lb	19 kg	Approx. 19 kg	Approx. 19 kg	Approx. 19 kg
	TV with Floor Stand	-	-	-	-	-	-
	Floor Stand weight (Supply)	-	-	-	-	-	-
Remarks	3Way	3Way	3Way	3Way	3Way	3Way	

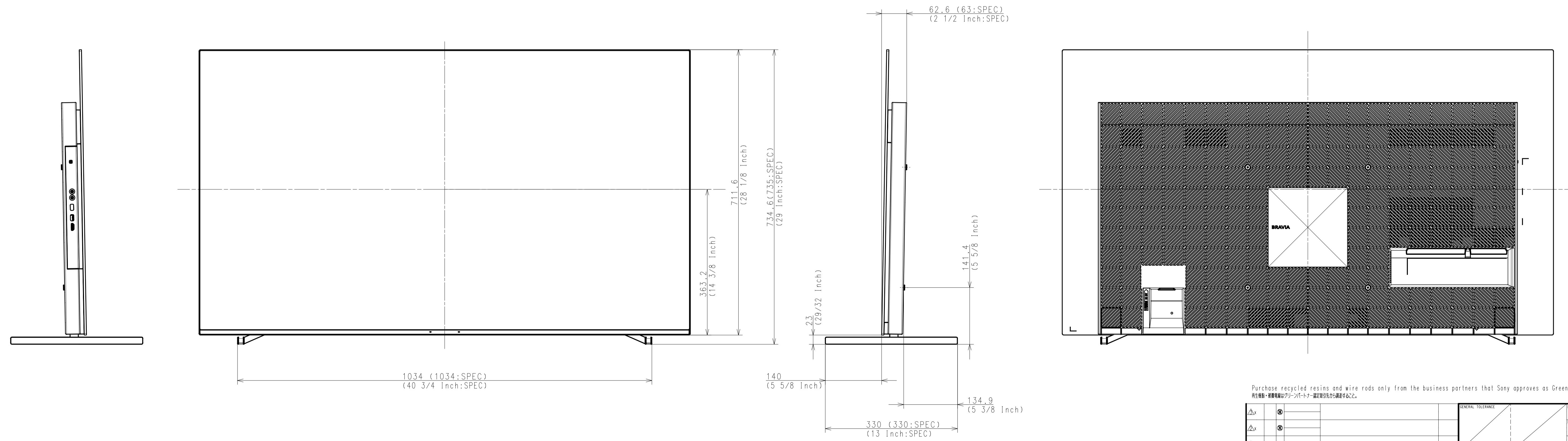
WITH STAND  
STANDARD POSITION



Sony XR-55A80J all dimention technical cut sheet/CAD drawings  
Complements of:

**Value Electronics**  
**Sony Diamond Dealer**  
**914-723-3344**

[www.ValueElectronics.com](http://www.ValueElectronics.com)



Purchase recycled resins and wire rods only from the business partners that Sony approves as Green Partners.  
再生樹脂・銅線はグリーンパートナー認定受入先から購入してください。

<table border="1"> <tr> <th>△</th> <th>◎</th> <th>□</th> <th>○</th> </tr> <tr> <td> </td> <td> </td> <td> </td> <td> </td> </tr> <tr> <td> </td> <td> </td> <td> </td> <td> </td> </tr> <tr> <td> </td> <td> </td> <td> </td> <td> </td> </tr> </table>	△	◎	□	○													<table border="1"> <tr> <th>DATE OF ISSUE</th> <td>2020.10.14</td> </tr> <tr> <th>DOCUMENT TYPE</th> <td>PART</td> </tr> <tr> <th>TOLERANCING</th> <td>DRAWING</td> </tr> <tr> <th>(JIS 9 000150 PARTS)</th> <td></td> </tr> </table>	DATE OF ISSUE	2020.10.14	DOCUMENT TYPE	PART	TOLERANCING	DRAWING	(JIS 9 000150 PARTS)	
△	◎	□	○																						
DATE OF ISSUE	2020.10.14																								
DOCUMENT TYPE	PART																								
TOLERANCING	DRAWING																								
(JIS 9 000150 PARTS)																									
<table border="1"> <tr> <th>HISTORY</th> <th>SUFFIX</th> <th>RELEASE NO.</th> <th>REVISION</th> <th>SIGN.</th> </tr> <tr> <th>V. COUNT</th> <th>PREV. NO.</th> <th>DATE</th> <th></th> <th></th> </tr> <tr> <td> </td> <td> </td> <td> </td> <td> </td> <td> </td> </tr> </table>	HISTORY	SUFFIX	RELEASE NO.	REVISION	SIGN.	V. COUNT	PREV. NO.	DATE								<table border="1"> <tr> <th>LEGAL OWNER</th> <td>Sony Corporation</td> </tr> <tr> <th>RESPONSIBLE DEPARTMENT</th> <td>SHE'S TV Div.</td> </tr> <tr> <th>PLANNED BY</th> <td>Miyazaki, Suetatsu</td> </tr> <tr> <th>DRAWN BY</th> <td>Miyazaki, Suetatsu</td> </tr> </table>	LEGAL OWNER	Sony Corporation	RESPONSIBLE DEPARTMENT	SHE'S TV Div.	PLANNED BY	Miyazaki, Suetatsu	DRAWN BY	Miyazaki, Suetatsu	
HISTORY	SUFFIX	RELEASE NO.	REVISION	SIGN.																					
V. COUNT	PREV. NO.	DATE																							
LEGAL OWNER	Sony Corporation																								
RESPONSIBLE DEPARTMENT	SHE'S TV Div.																								
PLANNED BY	Miyazaki, Suetatsu																								
DRAWN BY	Miyazaki, Suetatsu																								
<table border="1"> <tr> <th>GENERAL TOLERANCE</th> <td></td> </tr> <tr> <th>MATERIAL COLOR</th> <td></td> </tr> <tr> <th>FINISH COLOR</th> <td></td> </tr> </table>	GENERAL TOLERANCE		MATERIAL COLOR		FINISH COLOR		<table border="1"> <tr> <th>ORIGINAL MODEL</th> <td>55(A80J) EXTERIOR VIEW</td> </tr> <tr> <th>TENTATIVE MODEL</th> <td>55(A80J) EXTERIOR VIEW</td> </tr> <tr> <th>SCALE</th> <td>1:5</td> </tr> <tr> <th>SIZE</th> <td>A1</td> </tr> <tr> <th>UNIT</th> <td>mm</td> </tr> <tr> <th>SHEET/PAGES</th> <td>1/4</td> </tr> </table>	ORIGINAL MODEL	55(A80J) EXTERIOR VIEW	TENTATIVE MODEL	55(A80J) EXTERIOR VIEW	SCALE	1:5	SIZE	A1	UNIT	mm	SHEET/PAGES	1/4						
GENERAL TOLERANCE																									
MATERIAL COLOR																									
FINISH COLOR																									
ORIGINAL MODEL	55(A80J) EXTERIOR VIEW																								
TENTATIVE MODEL	55(A80J) EXTERIOR VIEW																								
SCALE	1:5																								
SIZE	A1																								
UNIT	mm																								
SHEET/PAGES	1/4																								



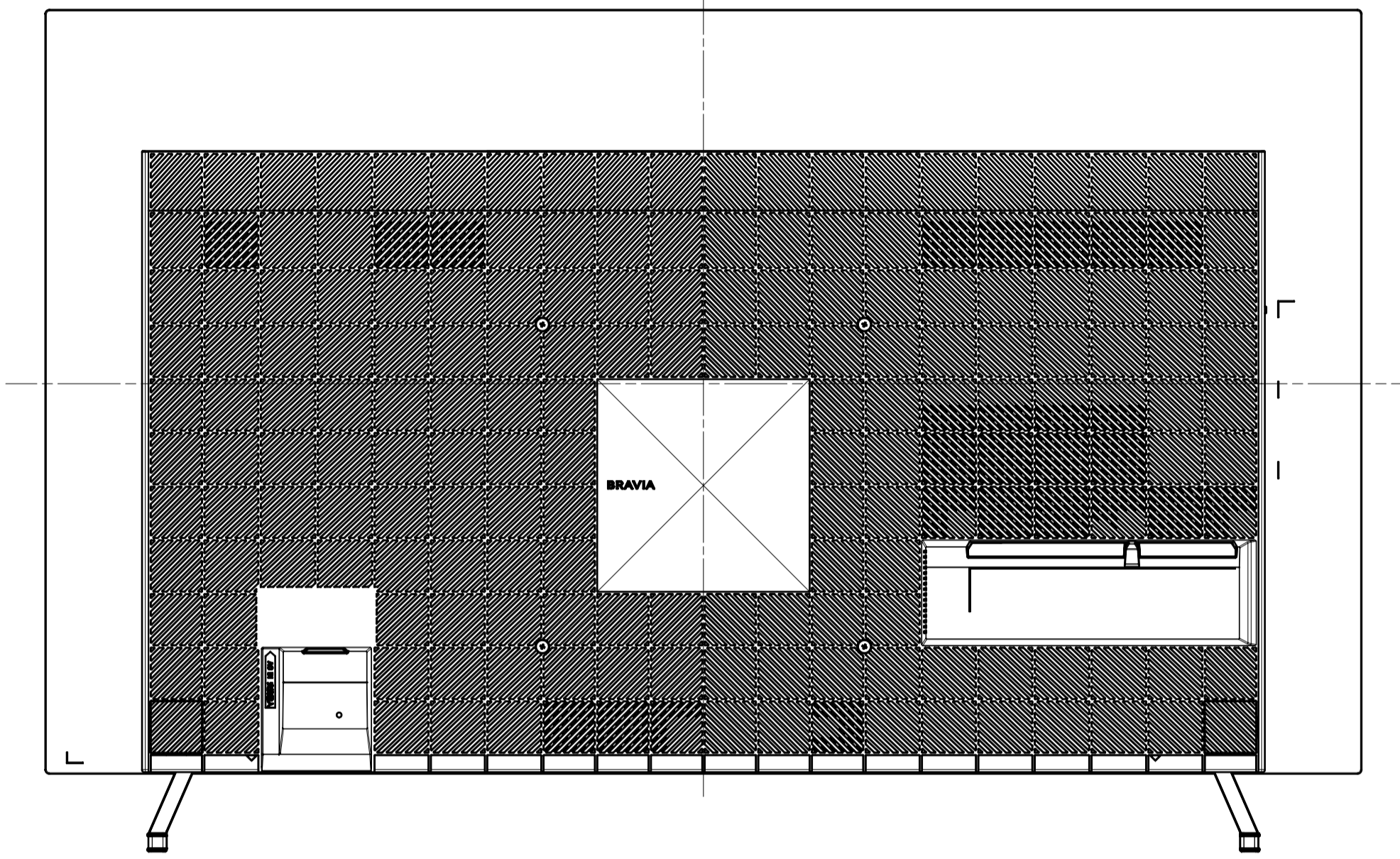
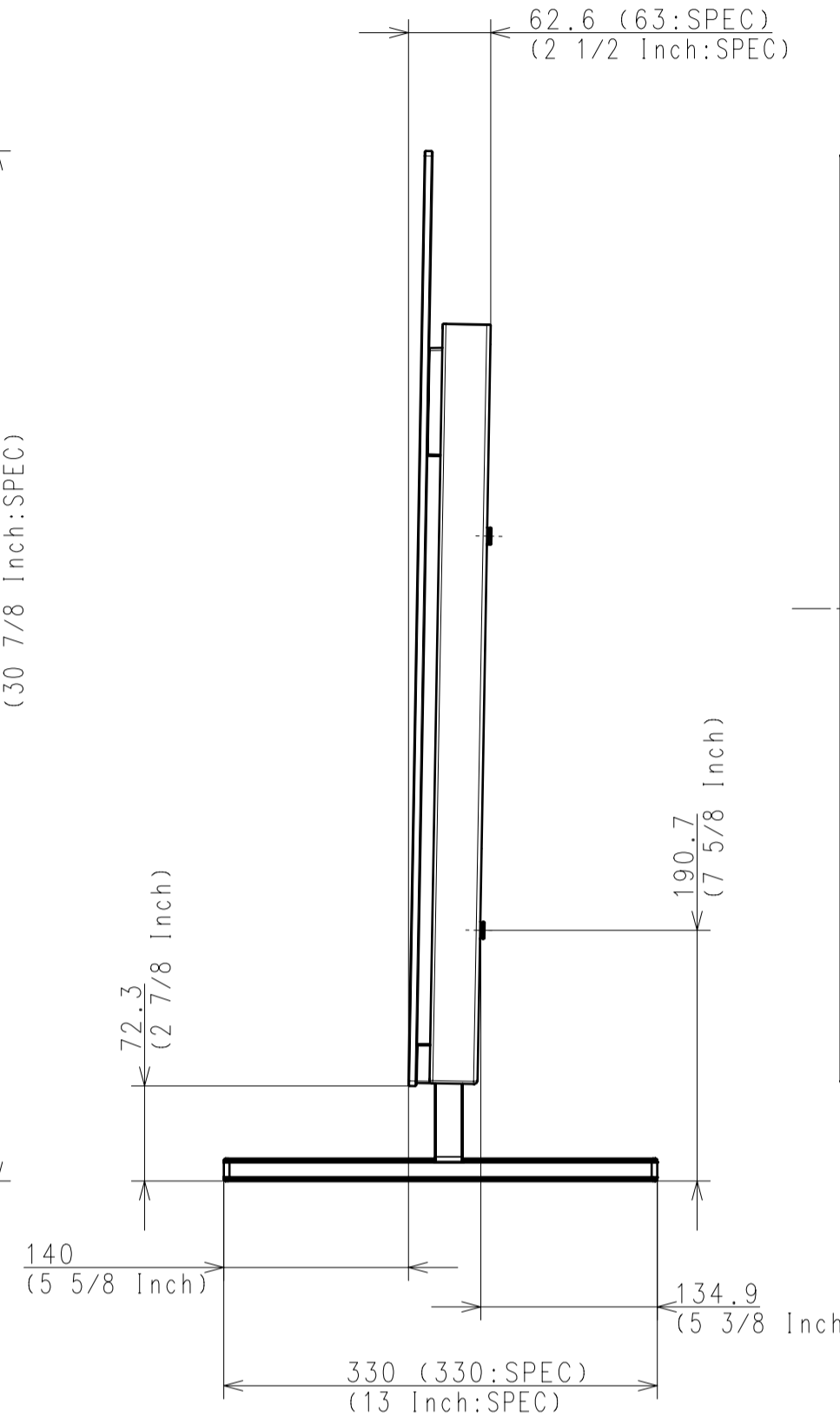
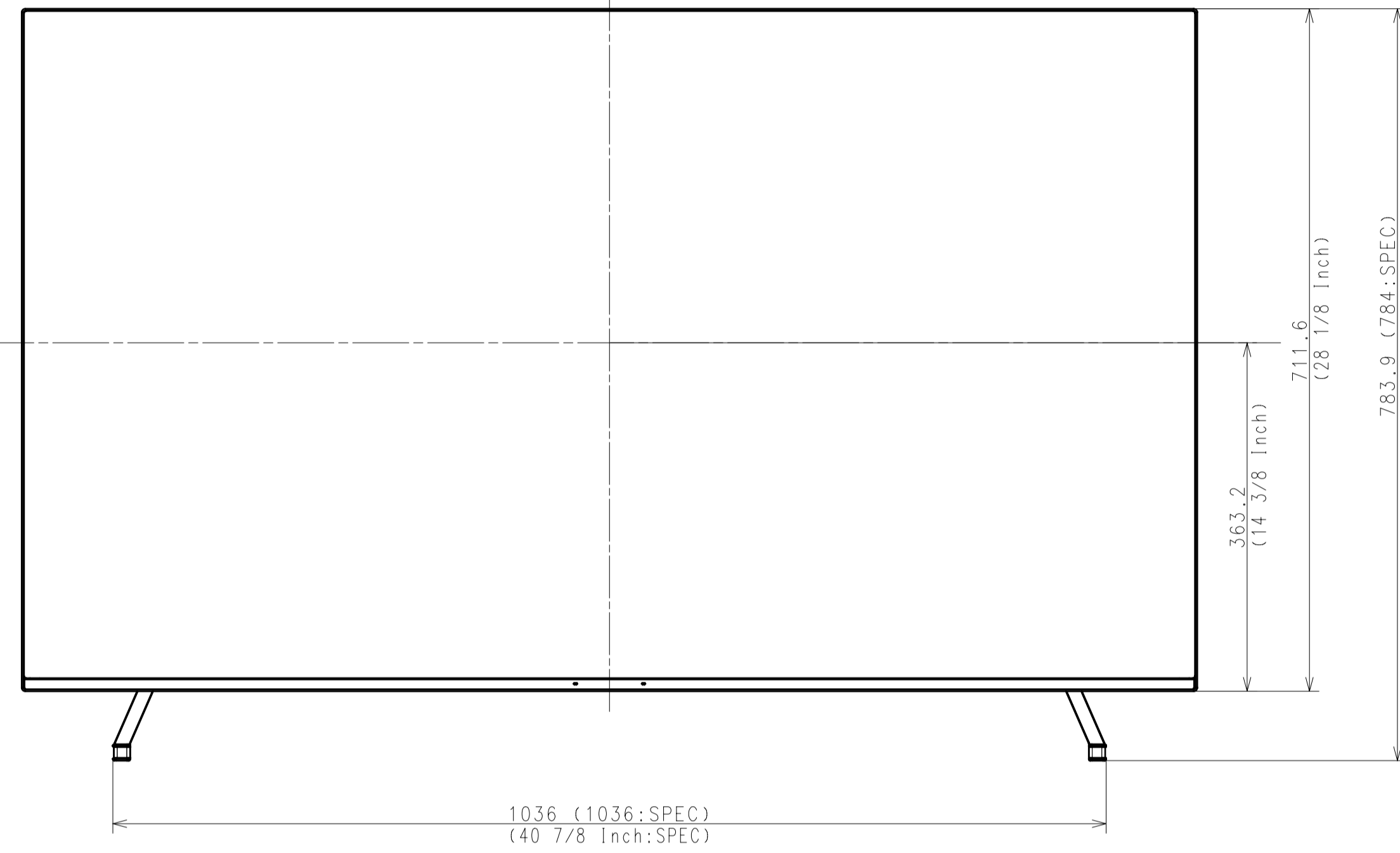
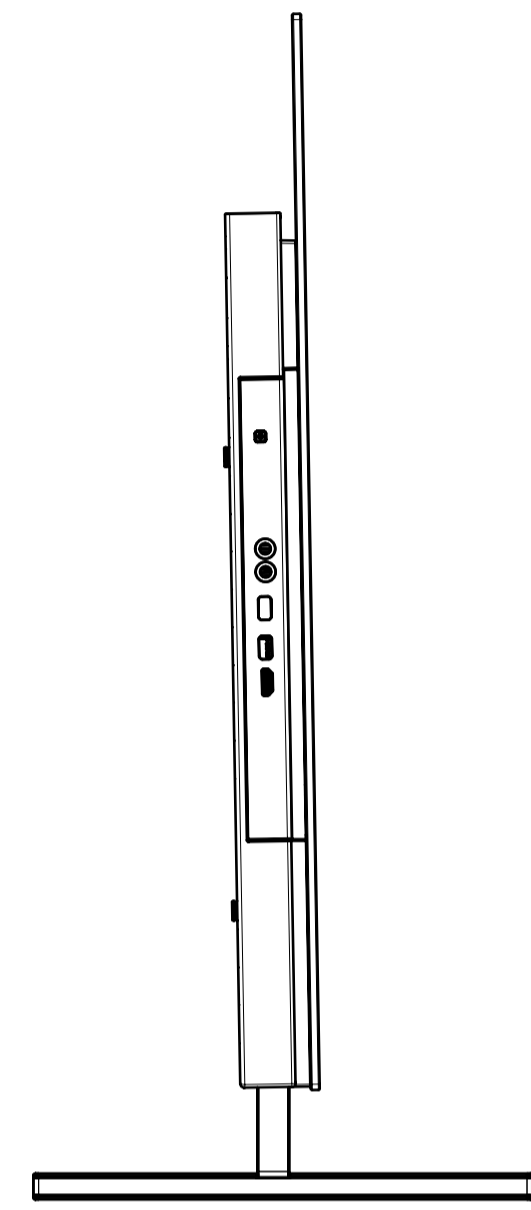
WITH STAND  
SOUND BAR POSITION

Sony XR-55A80J all dimensions technical cut sheet/CAD drawings

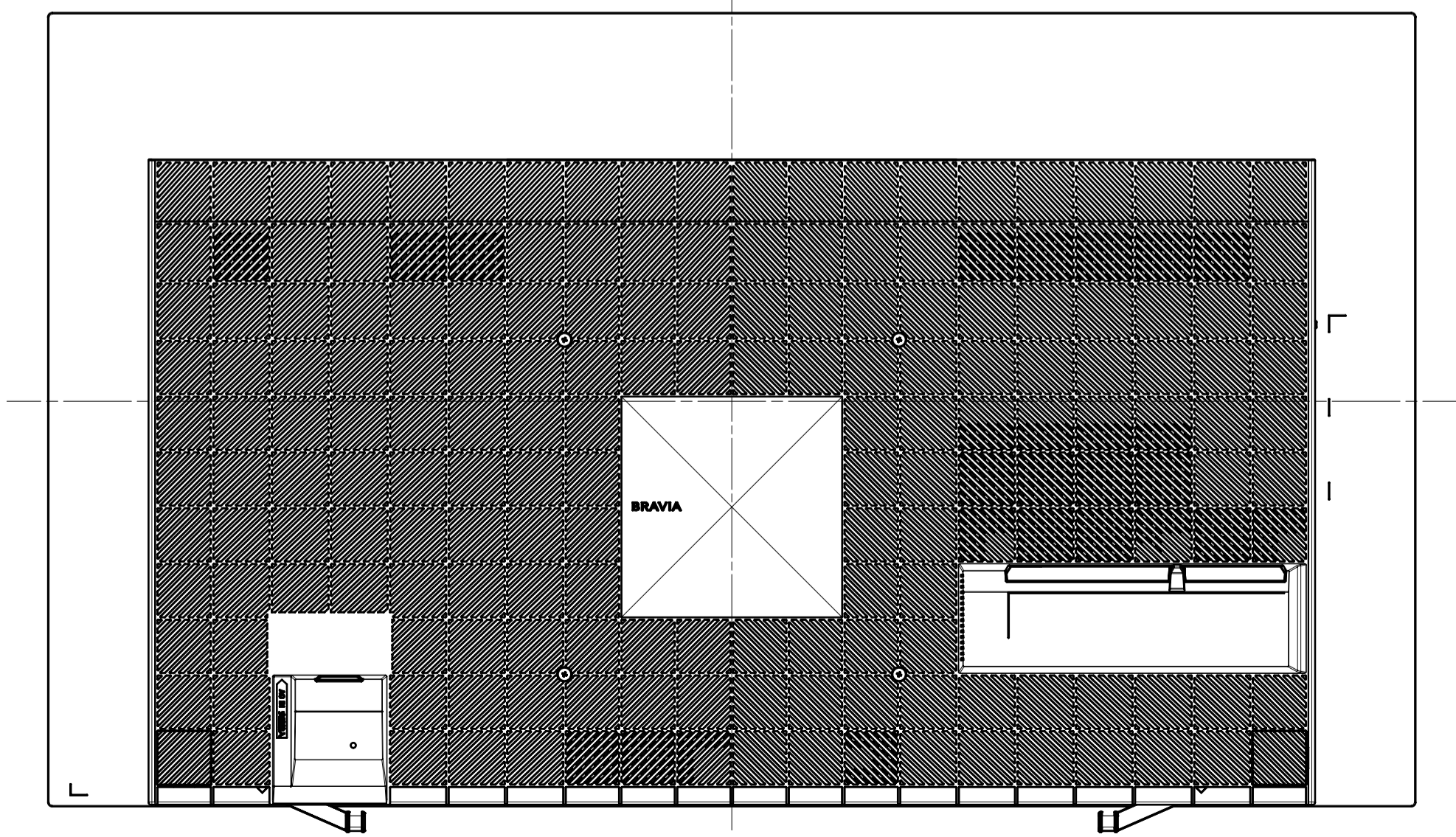
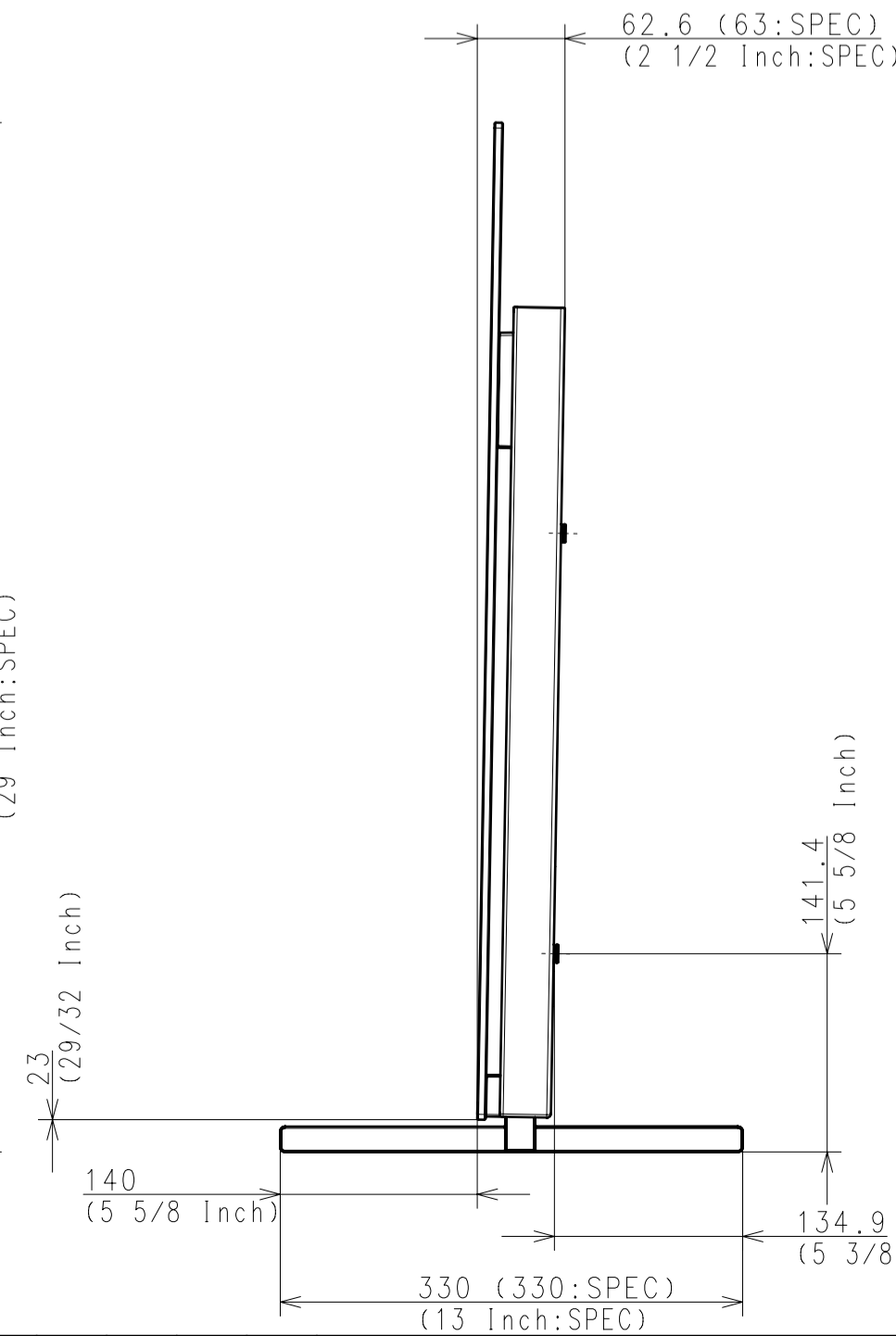
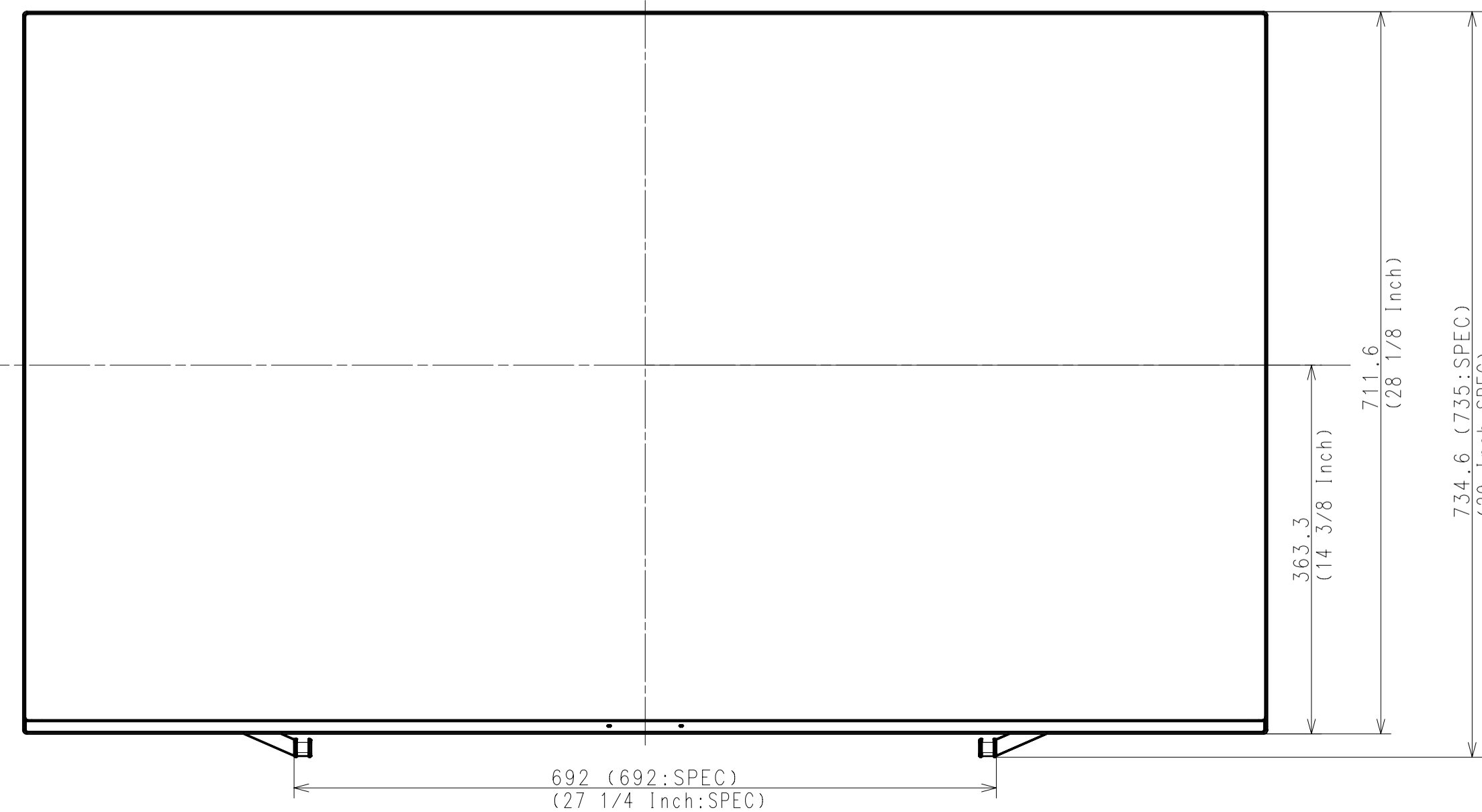
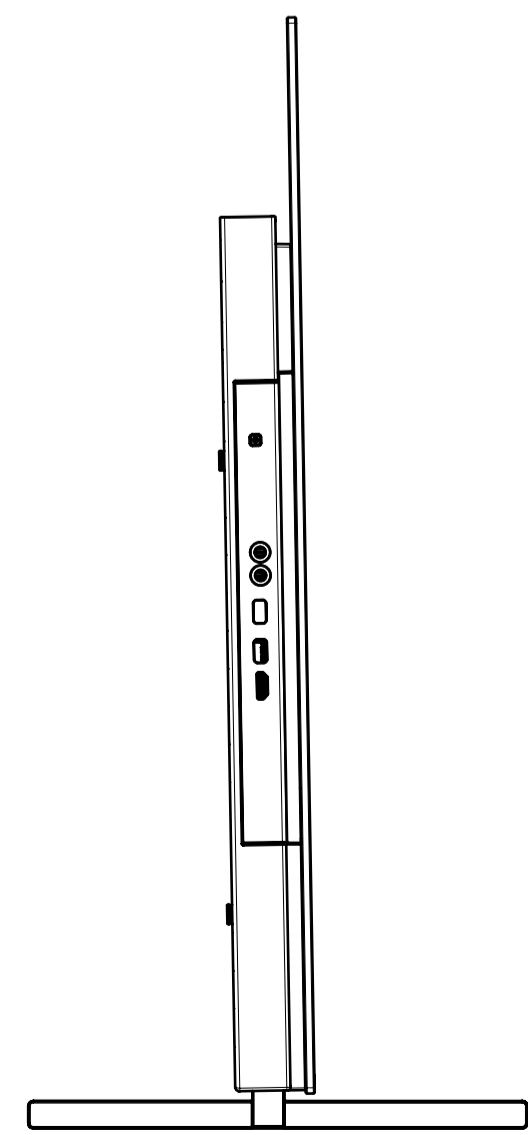
Complements of:

**Value Electronics**  
**Sony Diamond Dealer**  
**914-723-3344**

[www.ValueElectronics.com](http://www.ValueElectronics.com)



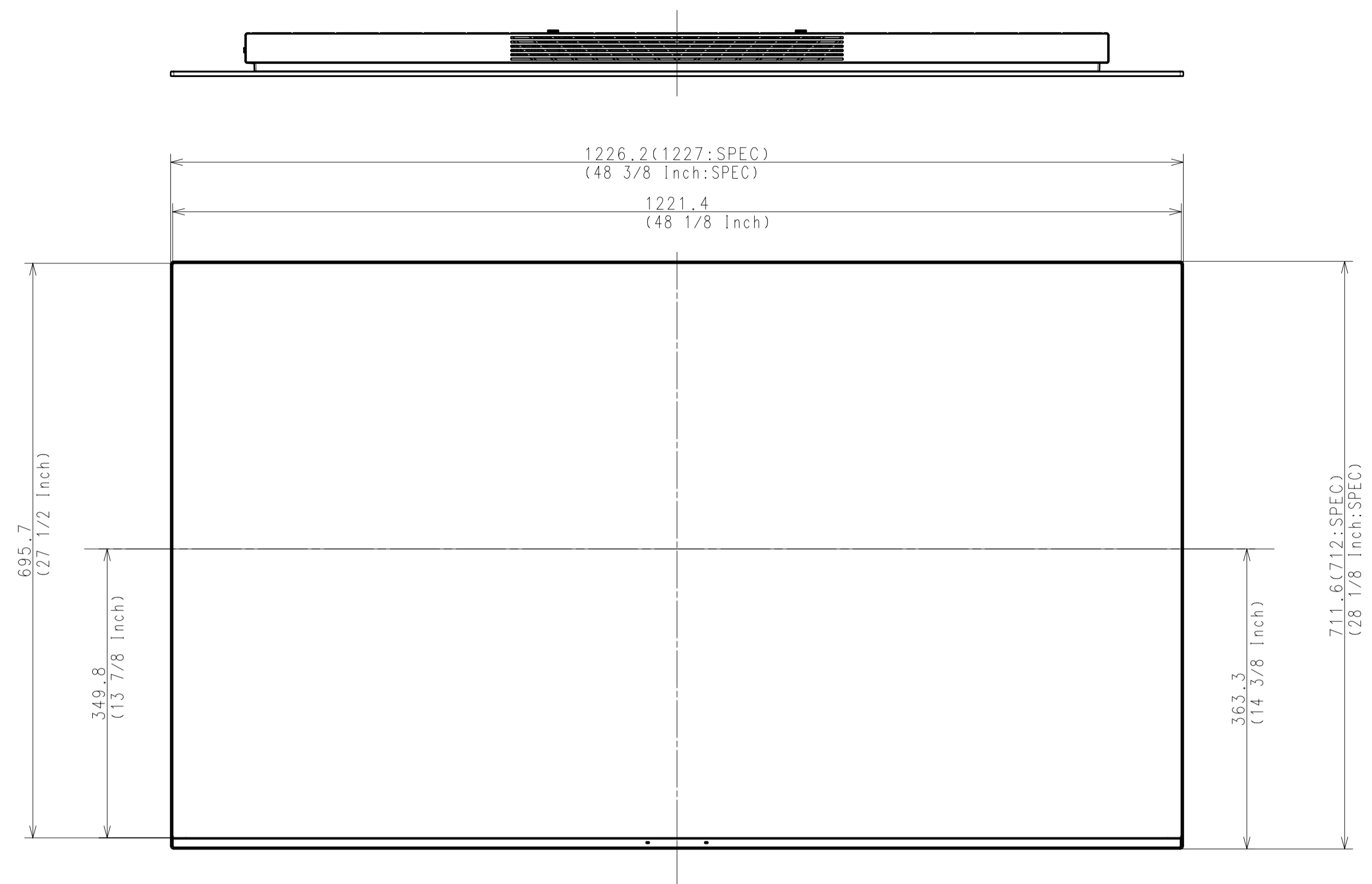
WITH STAND  
NARROW POSITION



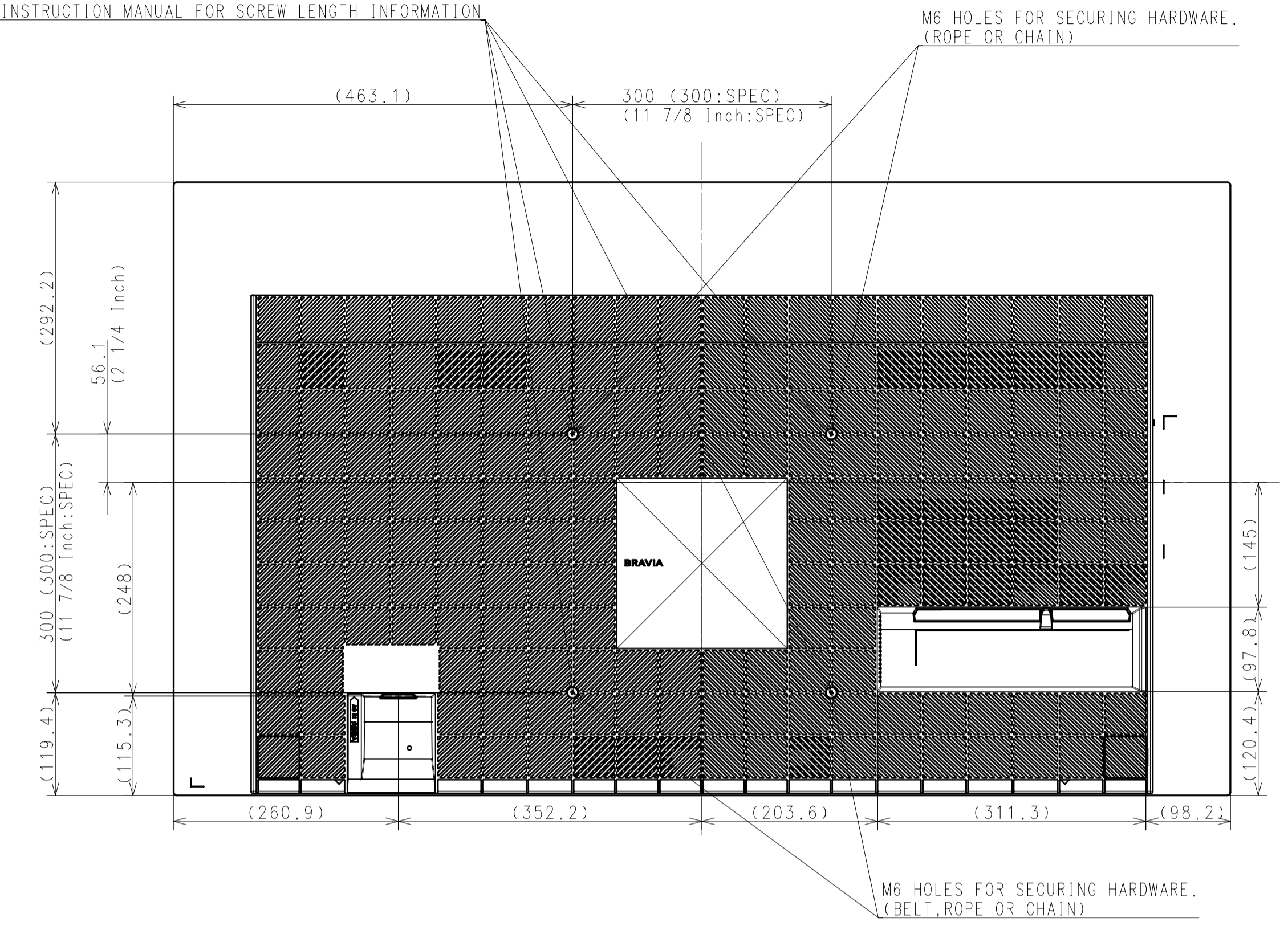
DESCRIPTION 1	LEGAL OWNER	SCALE
55(A80J) EXTERIOR VIEW	Sony Corporation	1:5
DESCRIPTION 2	PART NO.	SHEET/PAGES
55(A80J) EXTERIOR VIEW		2 / 4



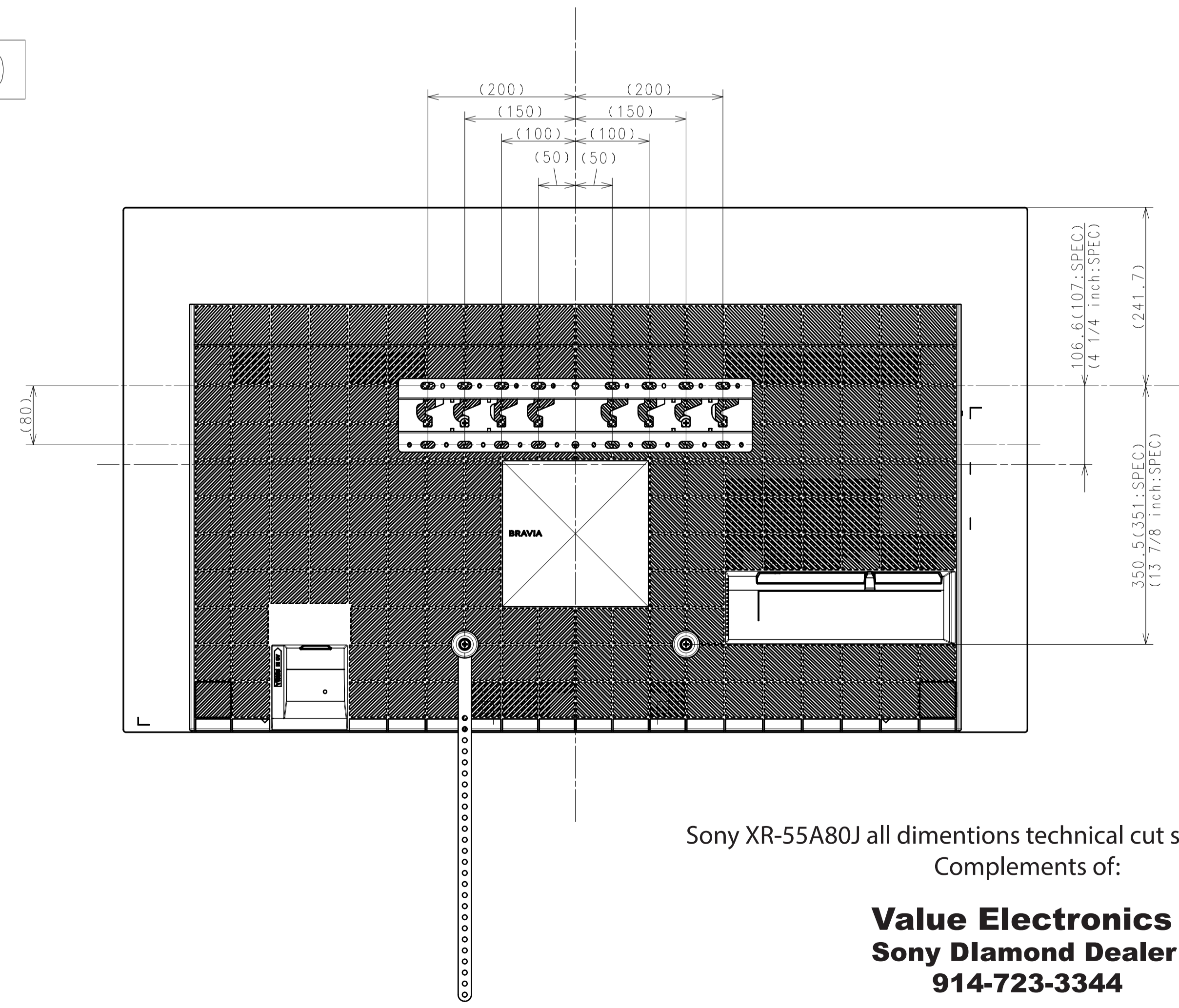
WITHOUT STAND



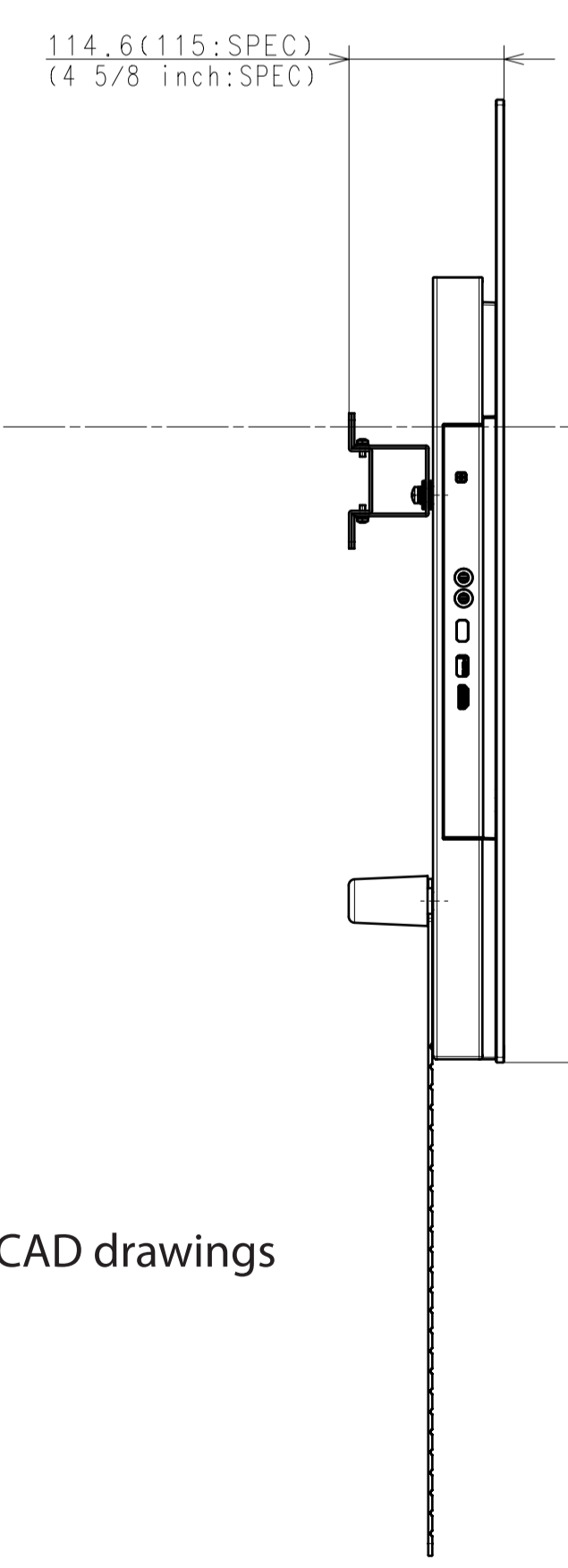
M6 HOLES FOR WALL MOUNT BRACKET  
\*REFER TO INSTRUCTION MANUAL FOR SCREW LENGTH INFORMATION



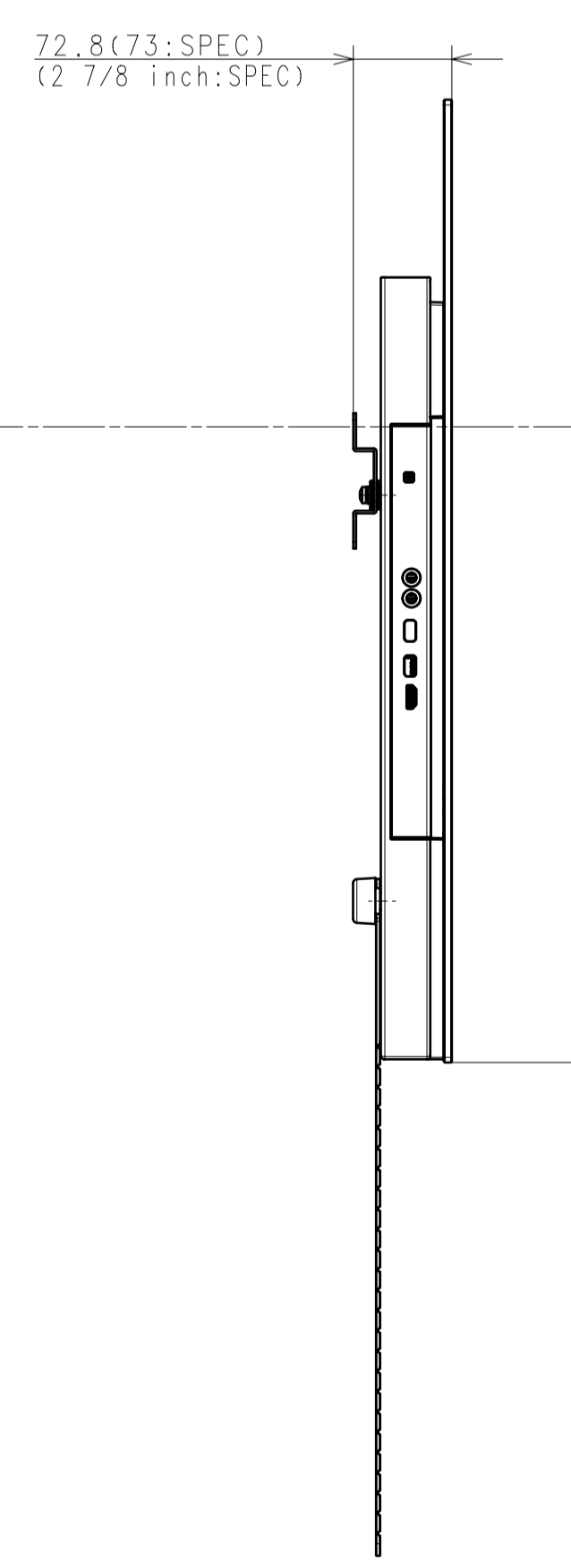
SU-WL450



STANDARD MOUNT



SLIM MOUNT



Sony XR-55A80J all dimensions technical cut sheet/CAD drawings  
Complements of:

**Value Electronics**  
**Sony Diamond Dealer**  
**914-723-3344**

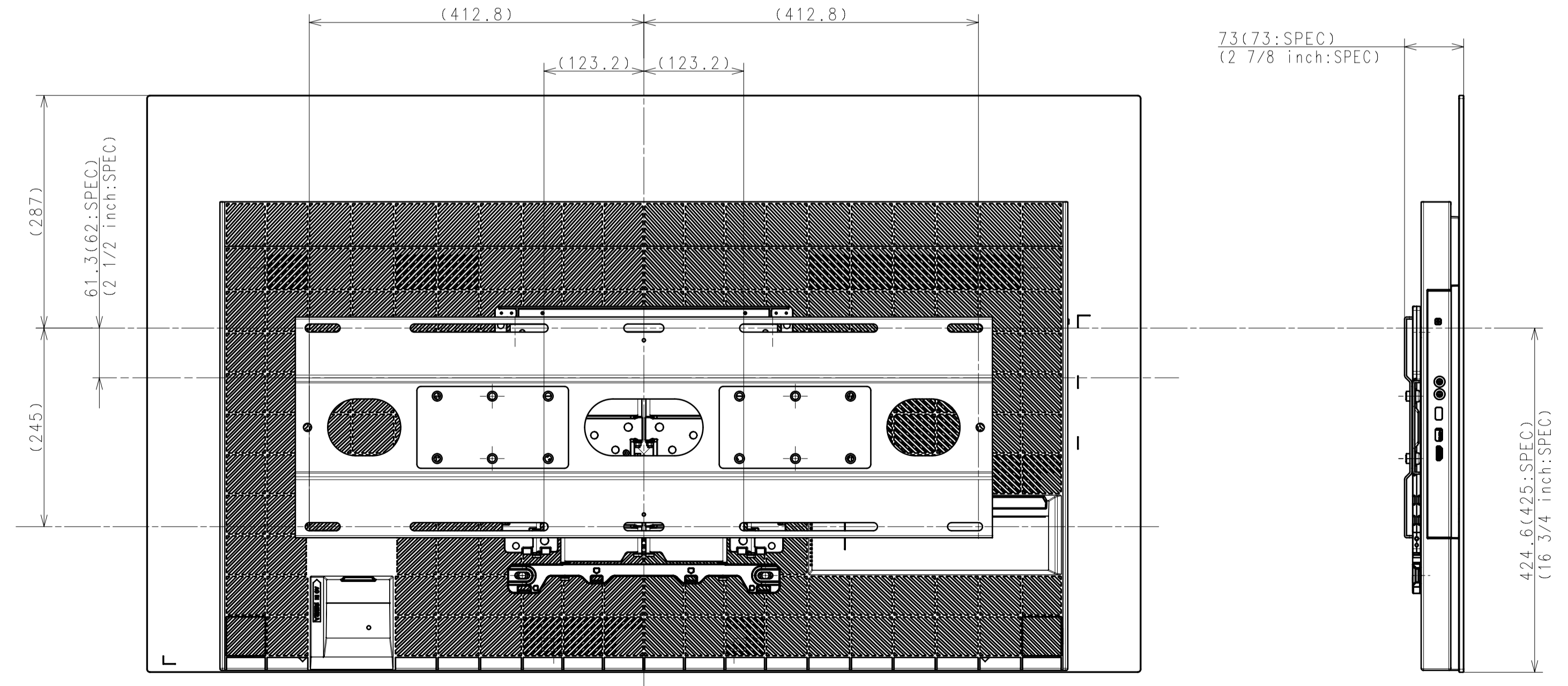
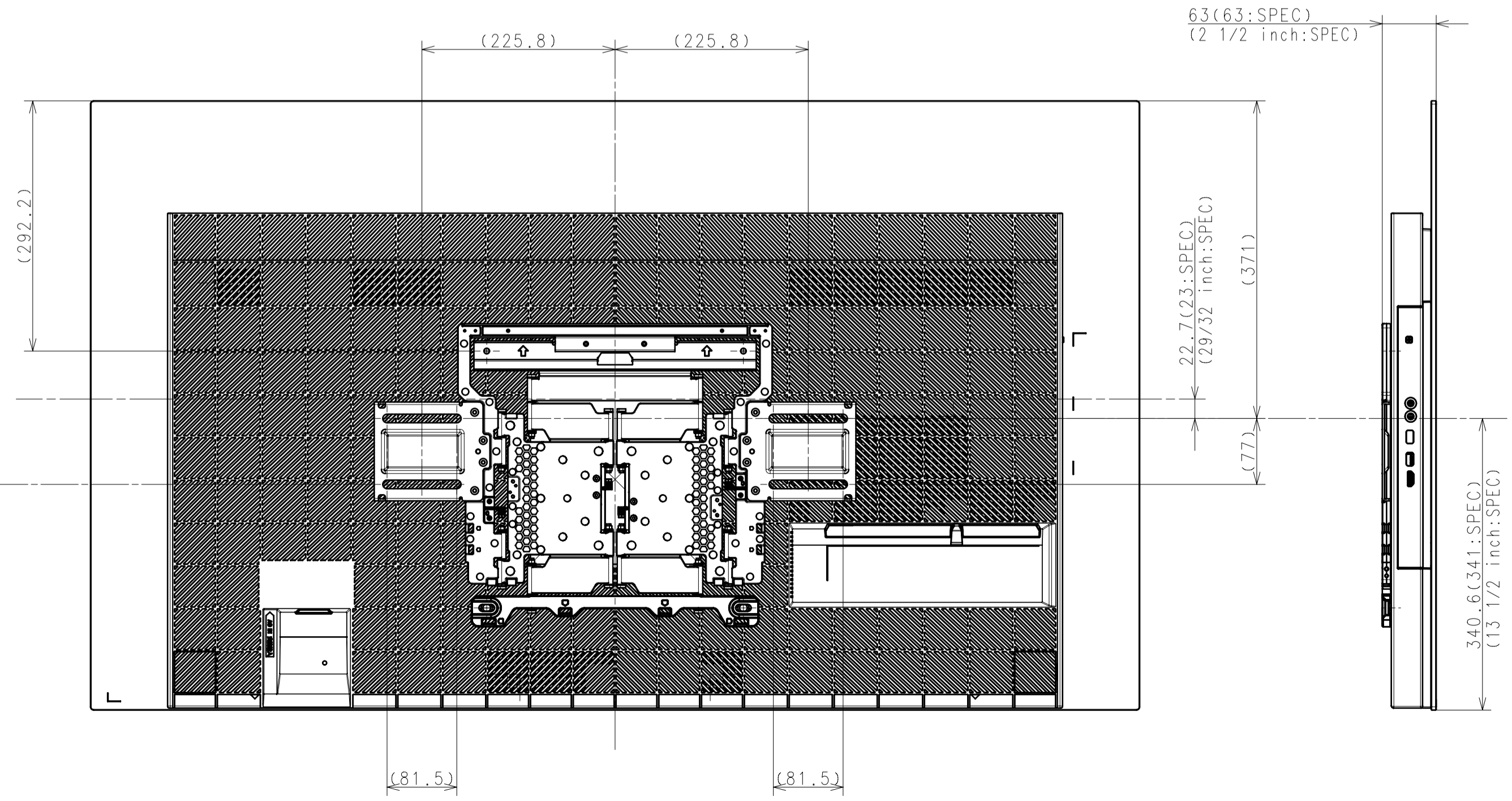
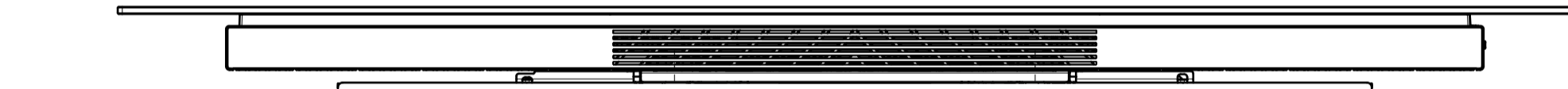
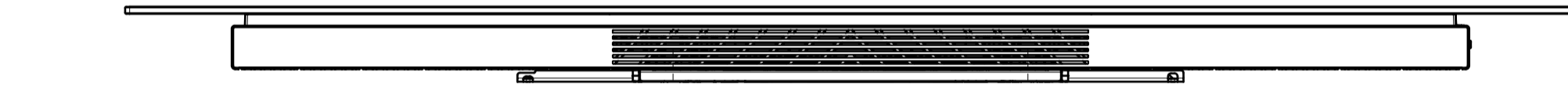
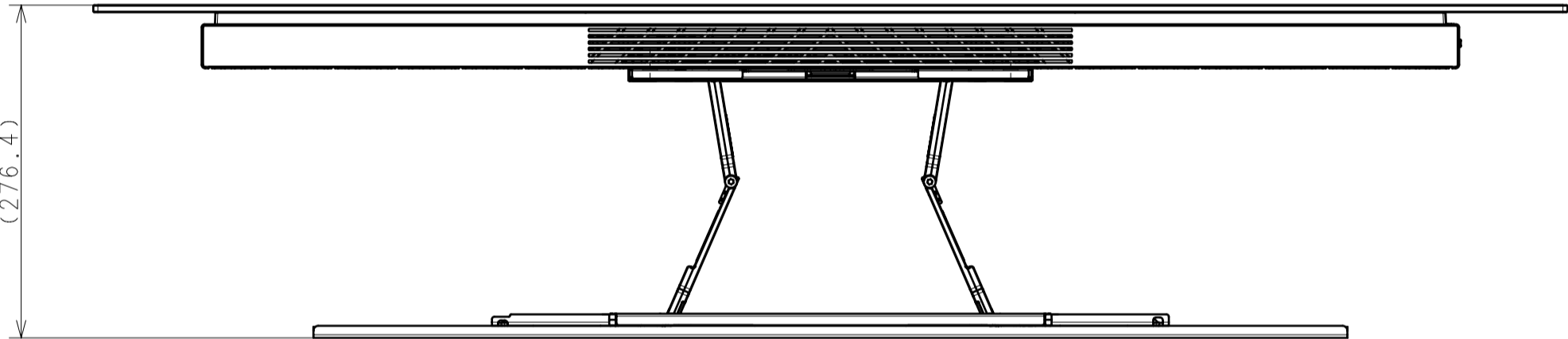
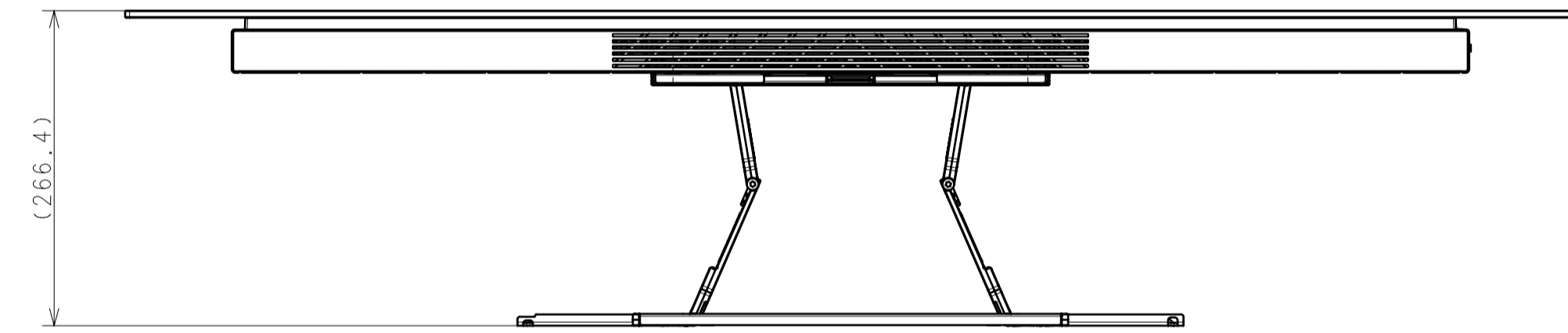
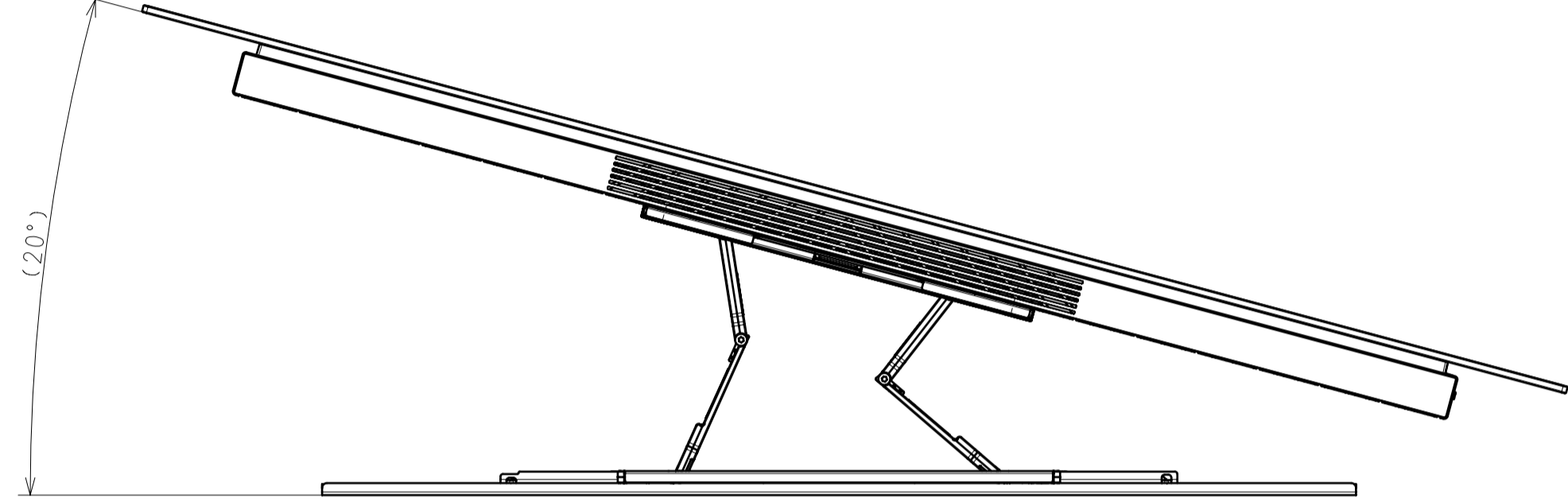
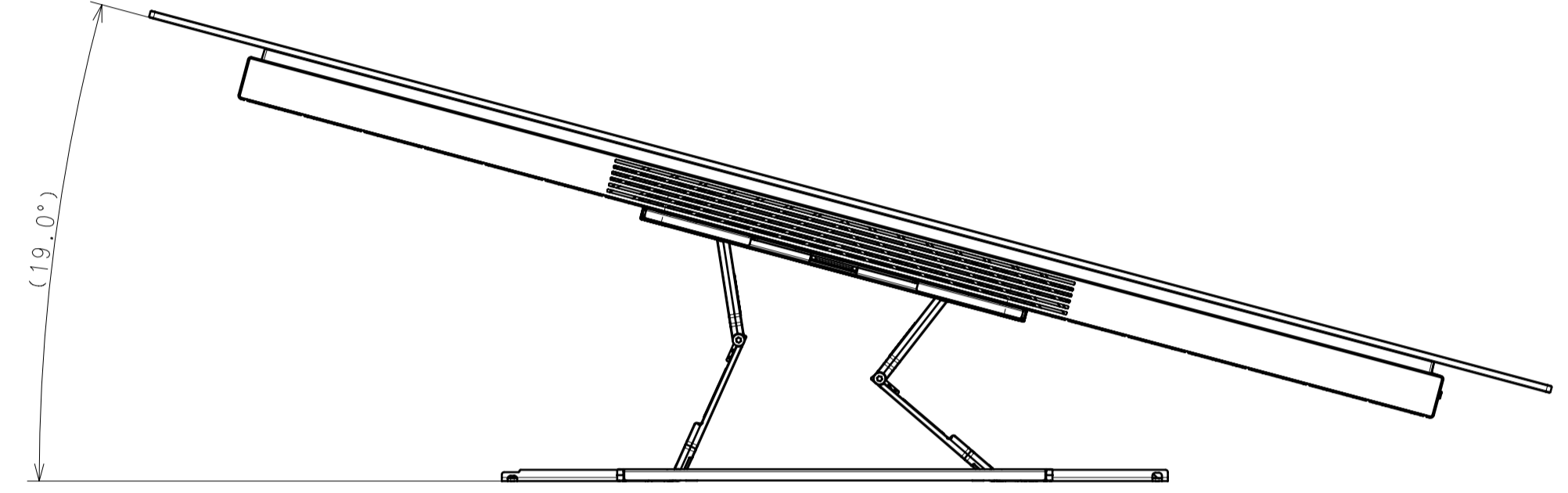
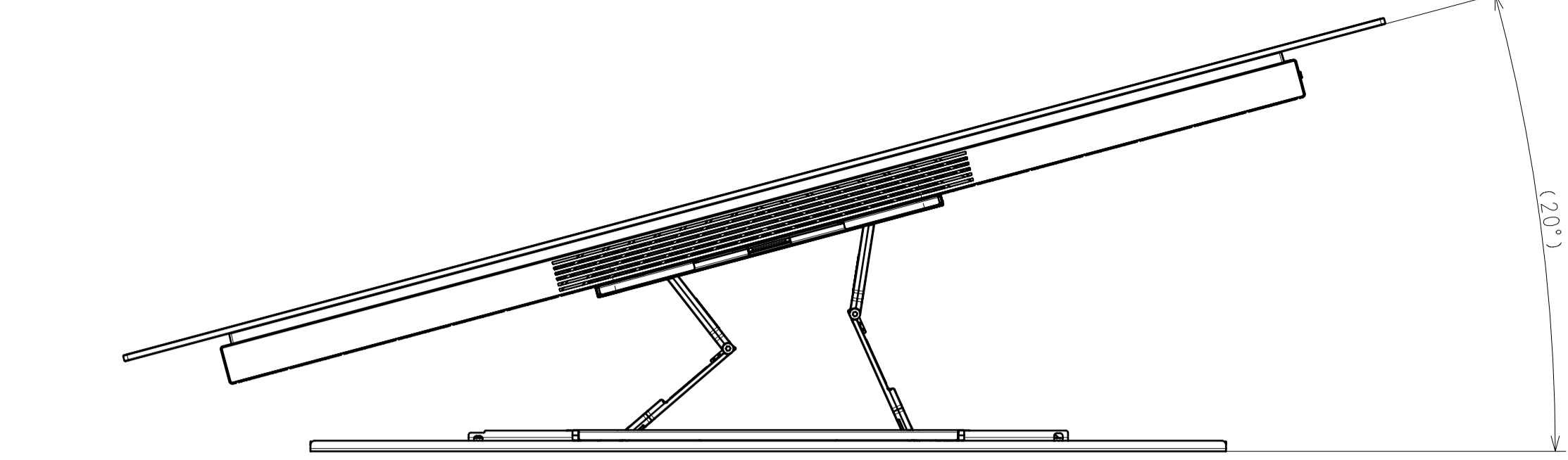
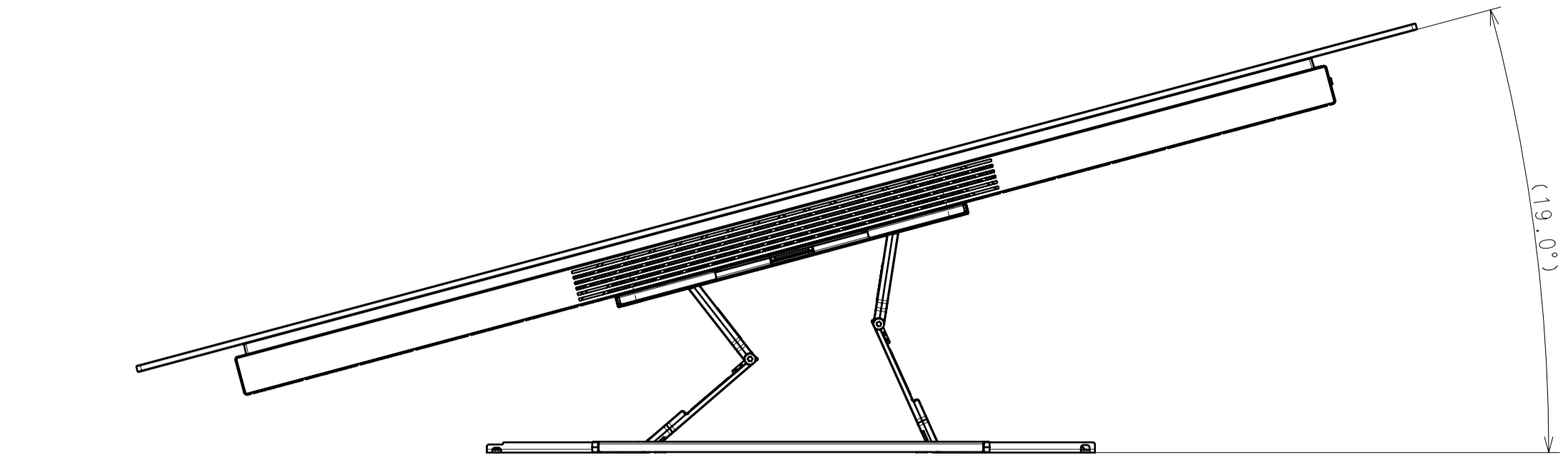
[www.ValueElectronics.com](http://www.ValueElectronics.com)

DESCRIPTION1 55(A80J) EXTERIOR VIEW	LEGAL OWNER Sony Corporation	SCALE 1:5
DESCRIPTION2 55(A80J) EXTERIOR VIEW	PART NO.	SHEET/PAGES 3/4



SU-WL850

SU-WL850



DESCRIPTION 1	LEGAL OWNER	SCALE
55(A80J) EXTERIOR VIEW	Sony Corporation	1:5
DESCRIPTION 2	PART NO.	SHEET/PAGES
55(A80J) EXTERIOR VIEW		4 / 4