

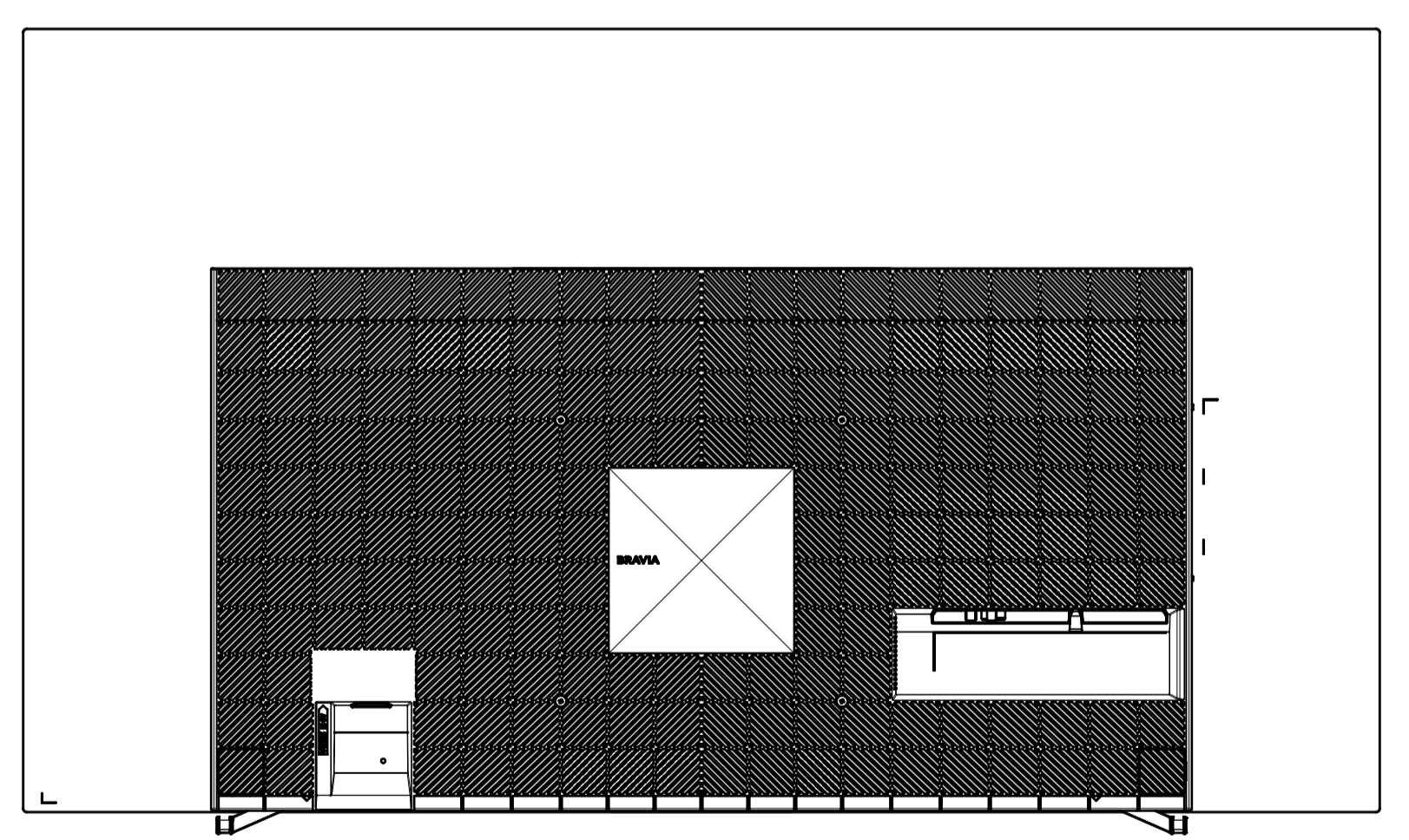
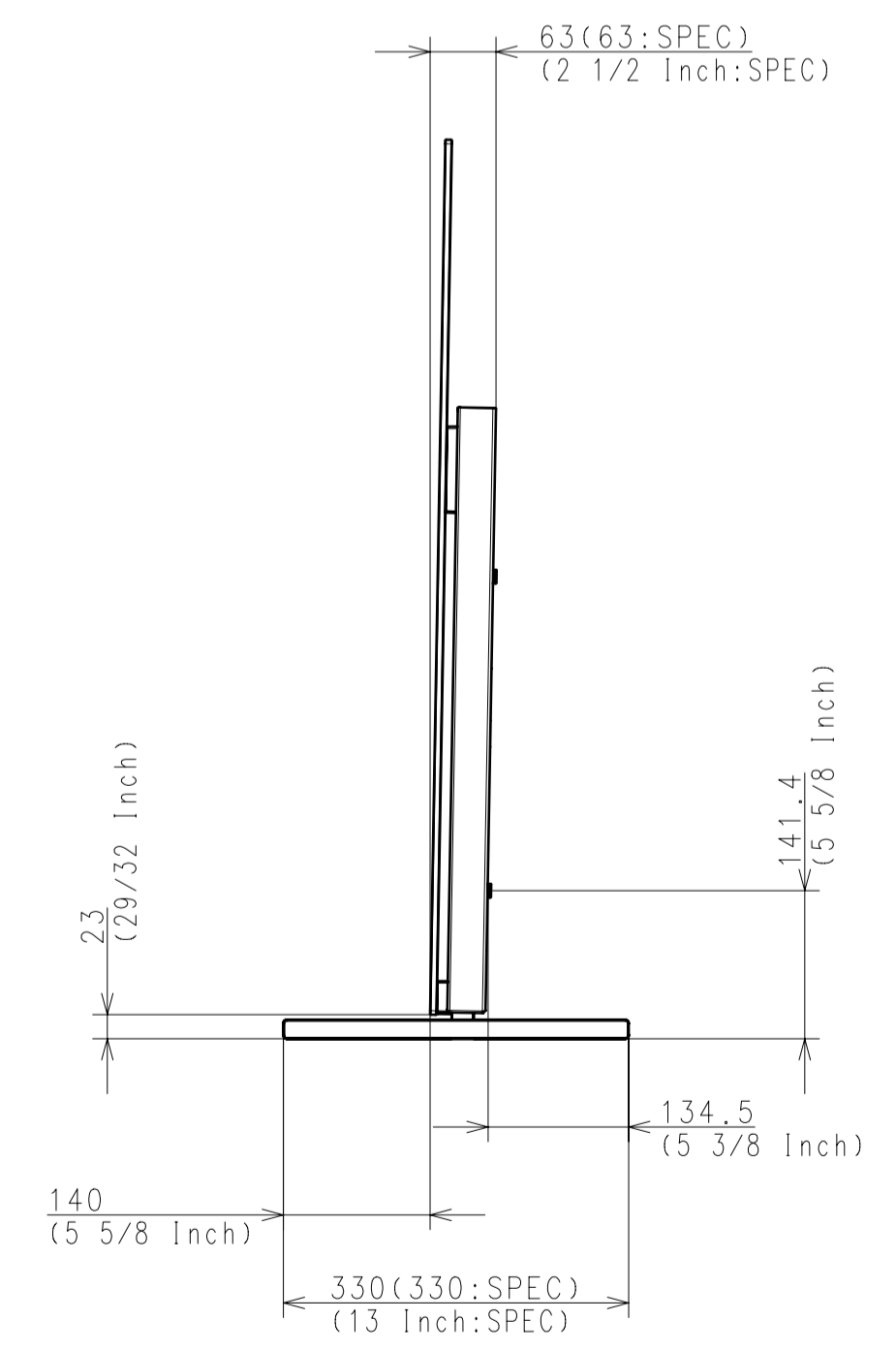
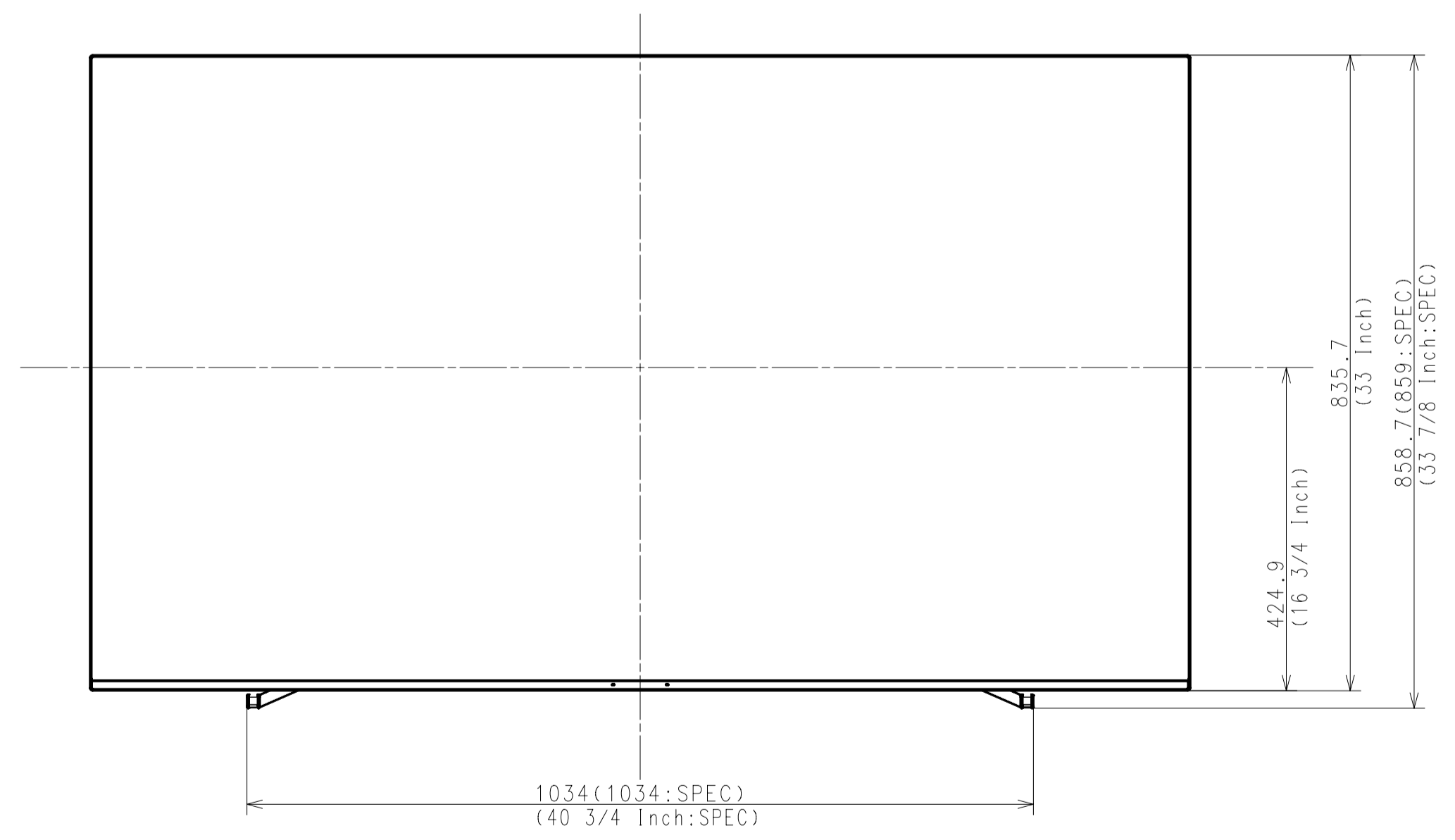
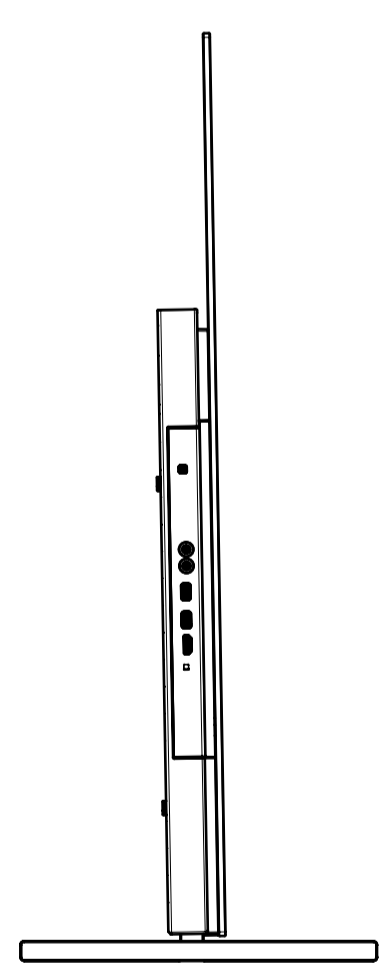
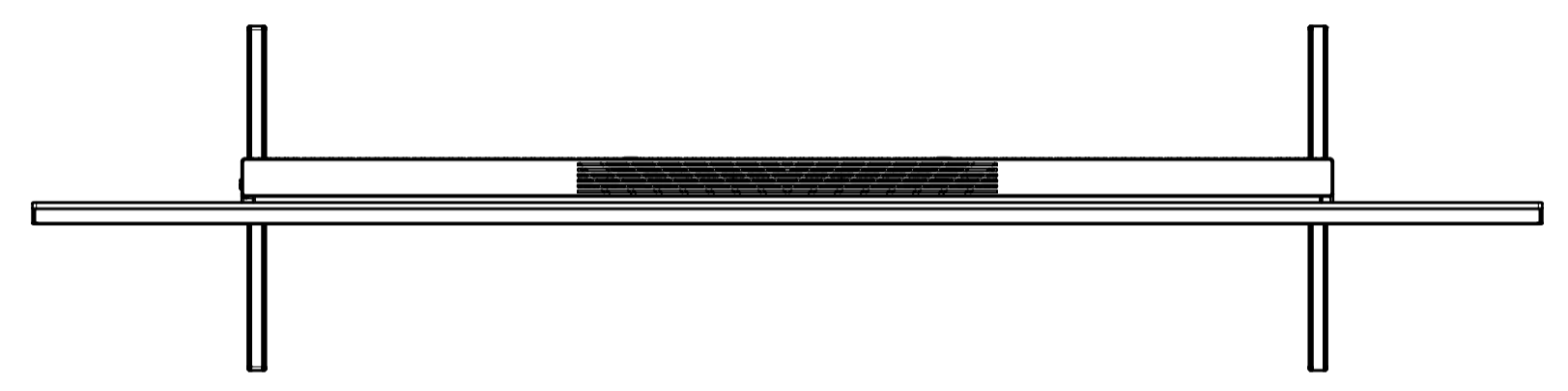
Area	JAPAN	NORTH AMERICA	LATIN AMERICA	EUROPE	GENERAL AREA	CHINA
Model Name	XRJ-65A80J	XR-65A80J	XR-65A80J	XR-65A80J	XR-65A80J	XR-65A80J
SV No.	SV-39373	SV-39180	SV-39198	SV-39343	SV-39228	SV-39306
DIMENSION	TV only (W x H x D)	144.8 x 83.6 x 5.3 (0.63) cm	1448 x 836 x 53 (6.3) mm / 57 1/8 x 33 x 2 1/8 (1/4) inch	1448 x 836 x 53 (6.3) mm	Approx. 144.8 x 83.6 x 5.3 (0.63) cm	Approx. 1448 x 836 x 53 (6.3) mm
	TV with Stand (Standard position) (W x H x D)	144.8 x 85.9 x 33.0 cm	1448 x 859 x 330 mm / 57 1/8 x 33 7/8 x 13 inch	1448 x 859 x 330 mm	Approx. 144.8 x 85.9 x 33.0 cm	Approx. 1448 x 859 x 330 mm
	TV with Stand (Narrow position) (W x H x D)	144.8 x 85.9 x 33.0 cm	1448 x 859 x 330 mm / 57 1/8 x 33 7/8 x 13 inch	1448 x 859 x 330 mm	Approx. 144.8 x 85.9 x 33.0 cm	Approx. 1448 x 859 x 330 mm
	TV with Stand (Soundbar position) (W x H x D)	144.8 x 90.8 x 33.0 cm	1448 x 908 x 330 mm / 57 1/8 x 35 3/4 x 13 inch	1448 x 908 x 330 mm	Approx. 144.8 x 90.8 x 33.0 cm	Approx. 1448 x 908 x 330 mm
	TV with Floor Stand (W x H x D)	-	-	-	-	-
	Stand Width (Standard position)	-	-	-	-	-
	Stand Width (Narrow position)	-	-	-	-	-
	Stand Width (Soundbar position)	-	-	-	-	-
WEIGHT	Floor Stand Width	-	-	-	-	-
	VESA Hole Pitch	30.0 x 30.0 cm	300 x 300 mm / 11 7/8 x 11 7/8 inch	300 x 300 mm	30.0 x 30.0 cm	300 x 300 mm
	TV Only	22.3 kg	22.3 kg / 49.2 lb	22.3 kg	Approx. 22.3 kg	Approx. 22.3 kg
	TV with Stand (Standard position)	23.5 kg	23.5 kg / 51.8 lb	23.5 kg	Approx. 23.5 kg	Approx. 23.5 kg
	TV with Stand (Narrow position)	23.5 kg	23.5 kg / 51.8 lb	23.5 kg	Approx. 23.5 kg	Approx. 23.5 kg
	TV with Stand (Soundbar position)	23.5 kg	23.5 kg / 51.8 lb	23.5 kg	Approx. 23.5 kg	Approx. 23.5 kg
Remarks	3way	3way	3way	3way	3way	3way

Sony XR-65A80J all dimensions technical cut sheet/CAD drawings
Complements of:

Value Electronics
Sony Diamond Dealer
914-723-3344

www.ValueElectronics.com

WITH STAND
STANDARD POSITION



Purchase recycled resins and wire rods only from the business partners that Sony approves as Green Partners.
再生樹脂・銅線材はグリーンパートナー 認定受注先から購入してください。

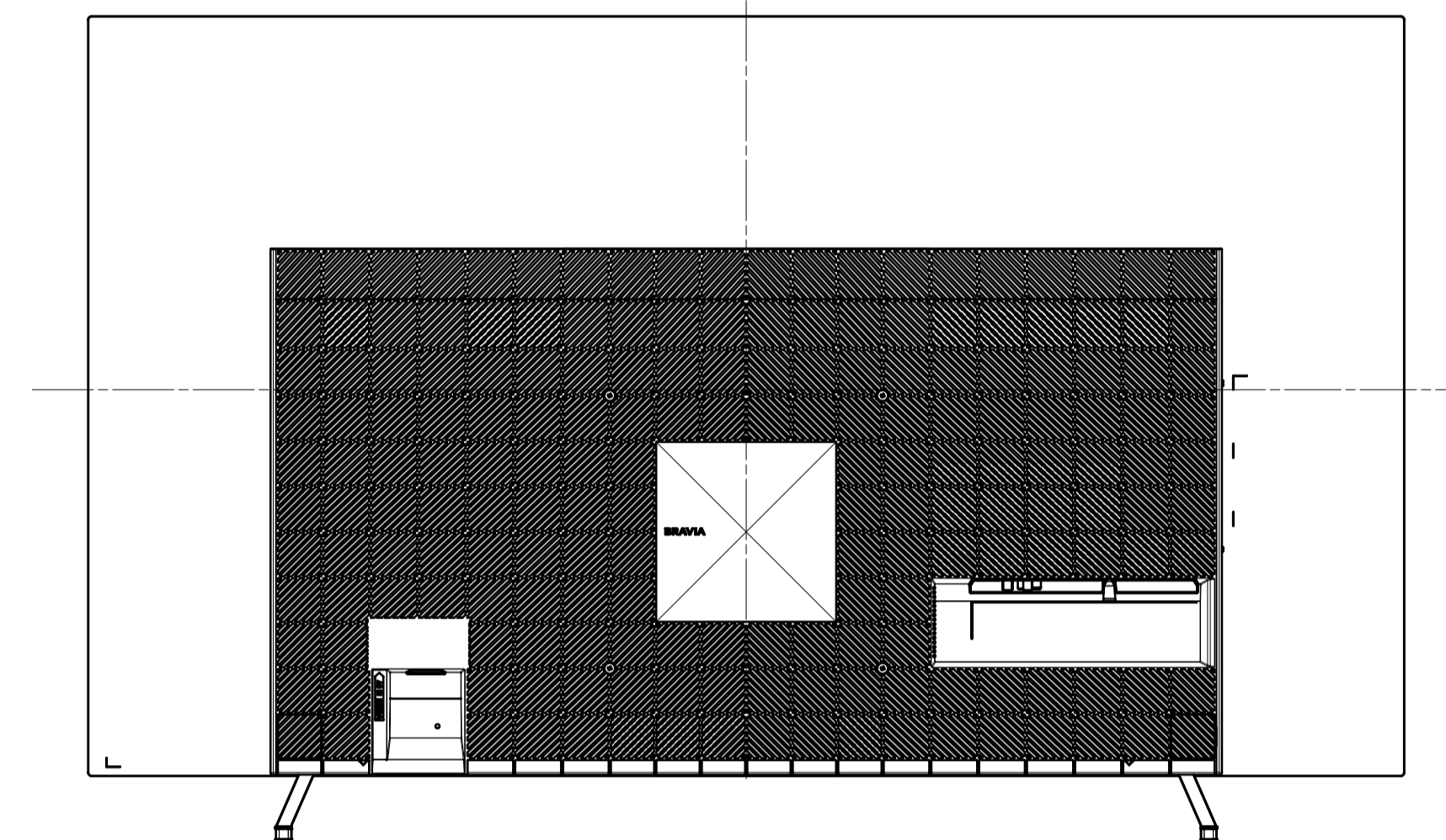
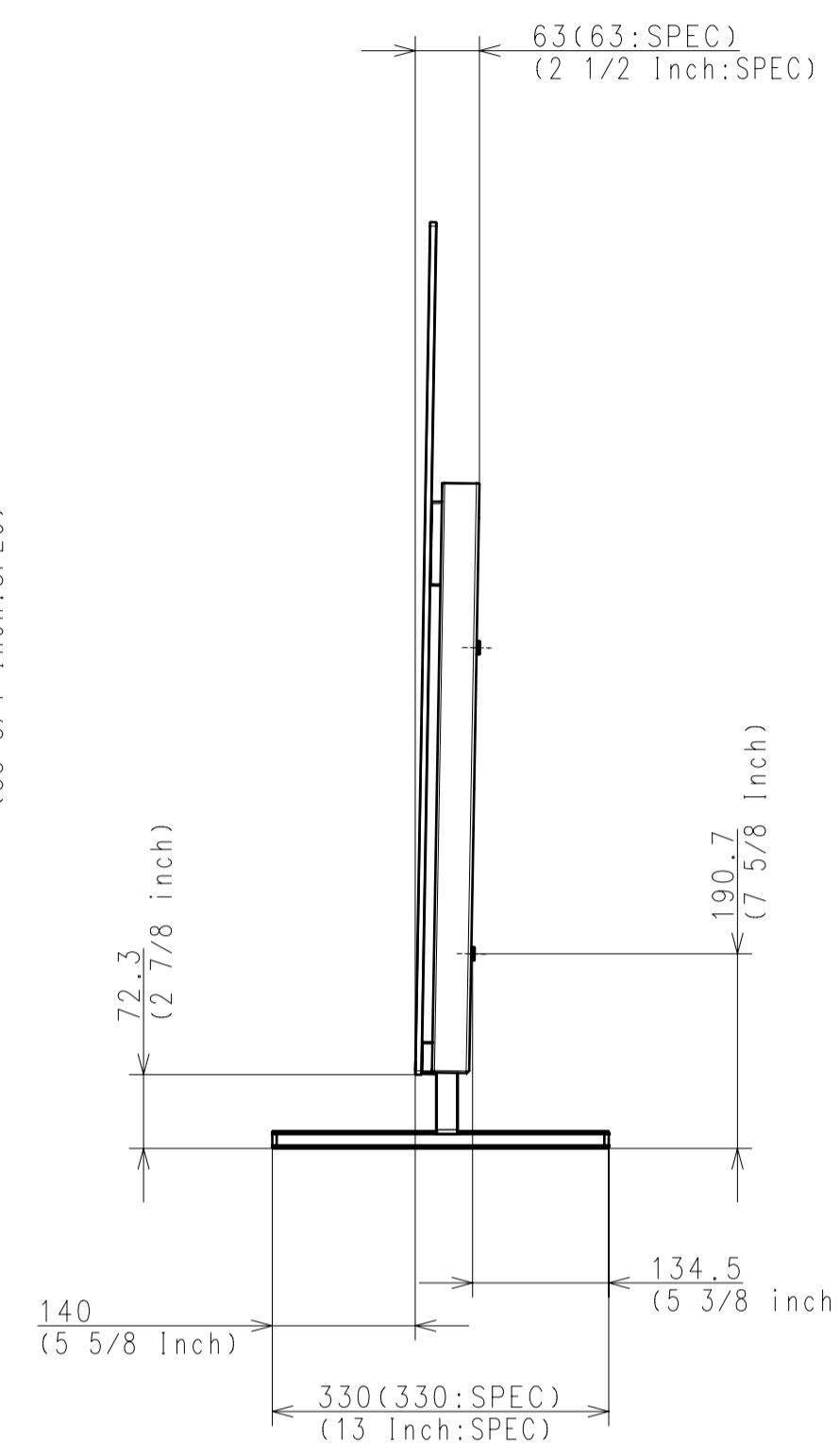
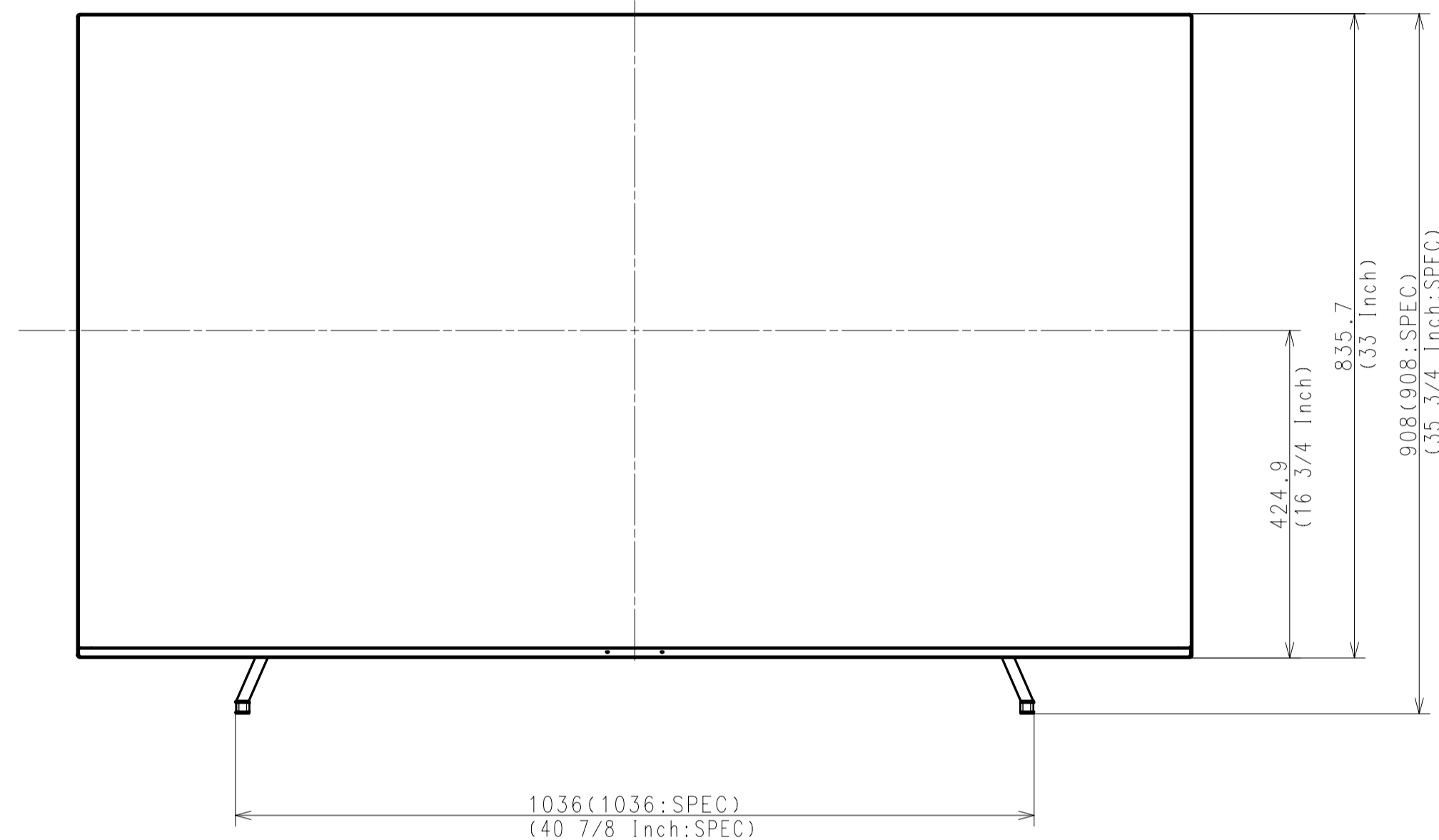
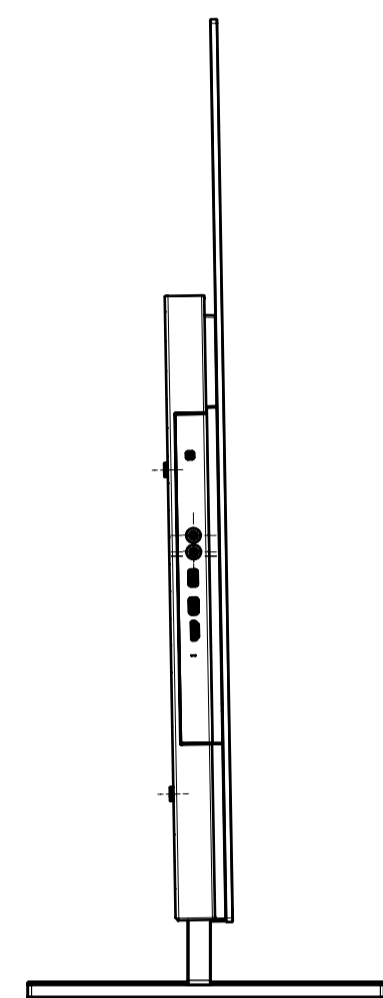
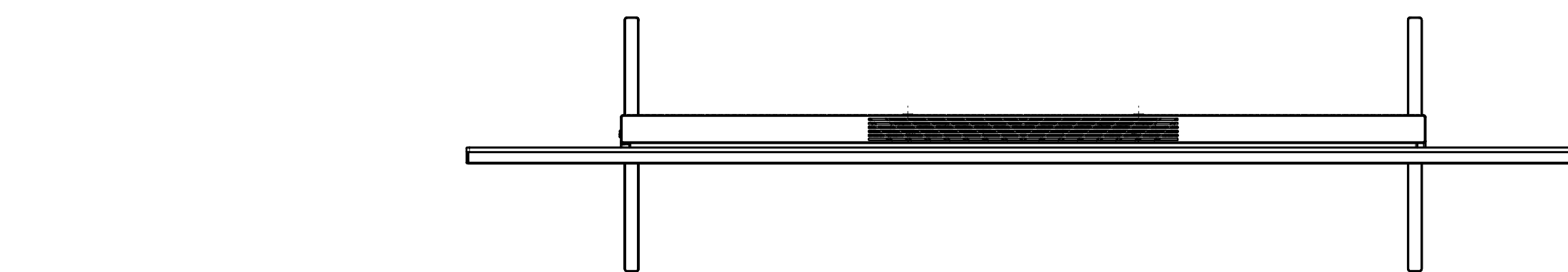
△A △B △C △D △E △F △G △H △I △J △K △L	HISTORY V. COUNT SUFFIX PREL. NO. REV. DATE	RELEASE NO. DATE	REVISION SIGN.	GENERAL TOLERANCE DATE OF ISSUE 2020.10.20 DOCUMENT TYPE PART TOLERANCING DRAWING (JIS 9 002(ISO) BASIS)	MATERIAL COLOR FINISH COLOR
RESPONSIBLE DEPARTMENT SHES TV Div.		ORIGINAL MODEL 65(A80J) EXTERIOR VIEW		DESCRIPTION 65(A80J) EXTERIOR VIEW	
PLANNED BY Kazuo Amari		CHECKED BY APPROVED BY SCALE 1:7		TENTATIVE MODEL 65(A80J) EXTERIOR VIEW	
DRAWN BY Kazuo Amari		SIZE A1		UNIT mm	
SHEET/PAGES 1 / 4		PART NO. SUFFIX REV. NO.		SHEET/PAGES 1 / 4	

WITH STAND
SOUND BAR POSITION

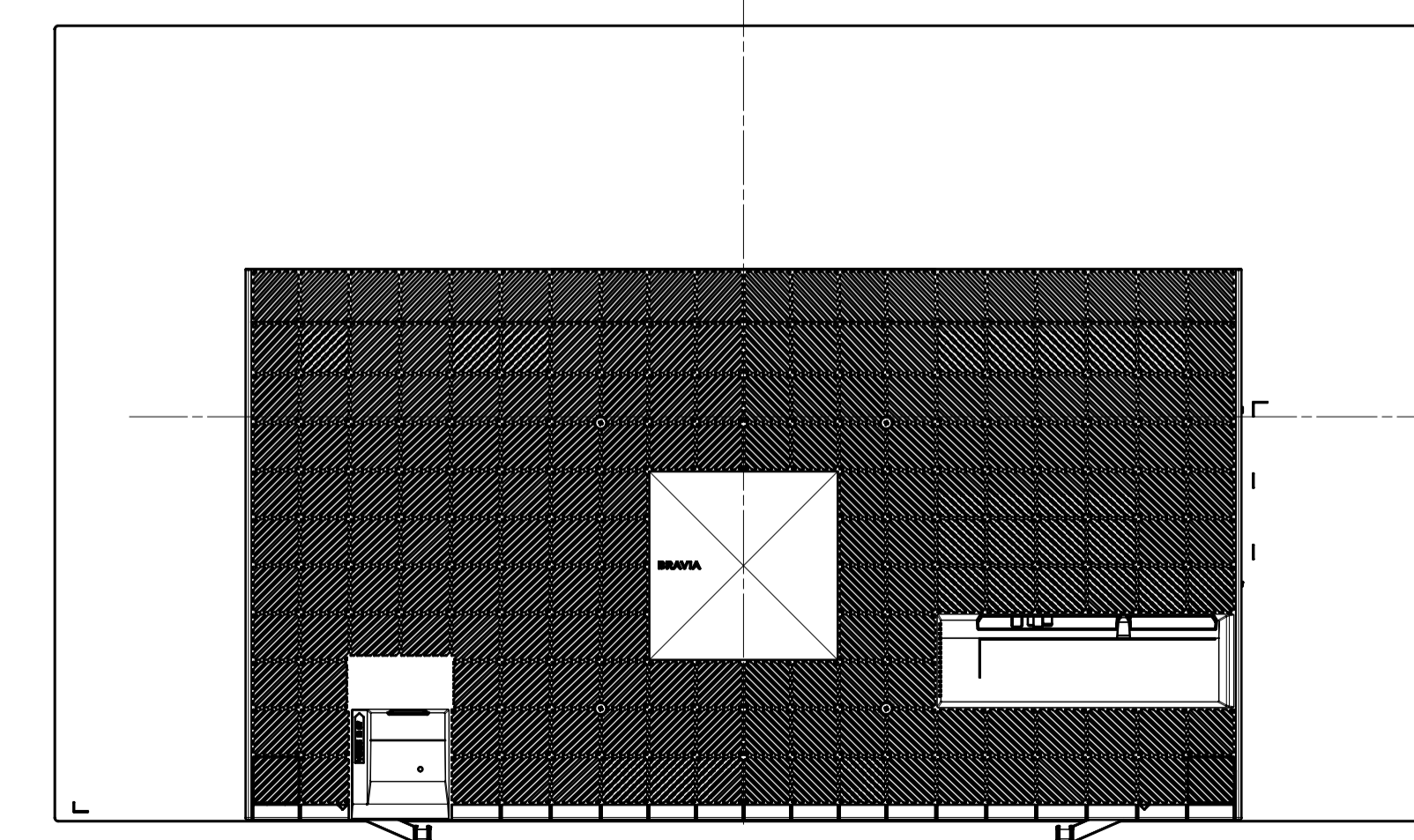
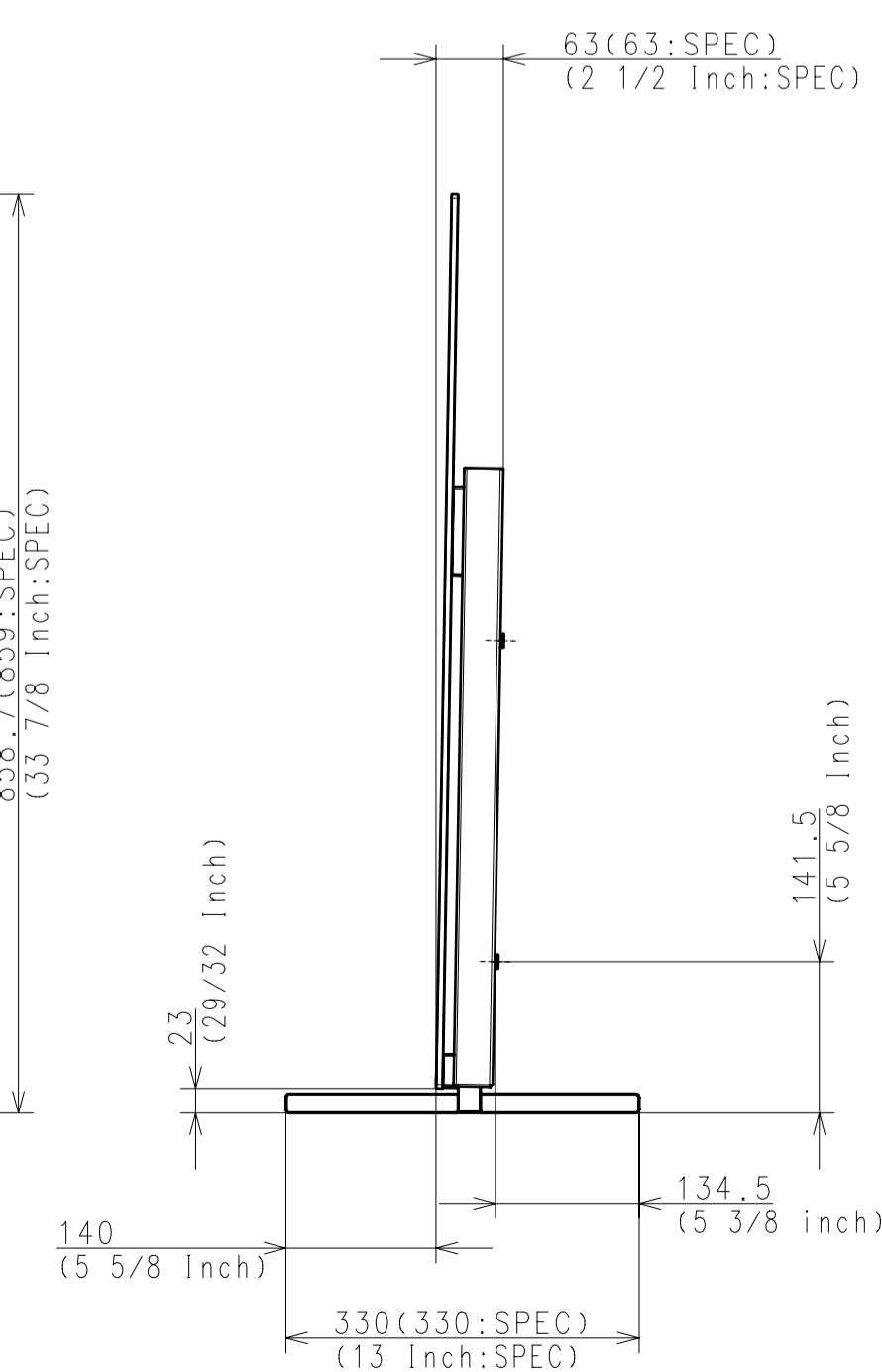
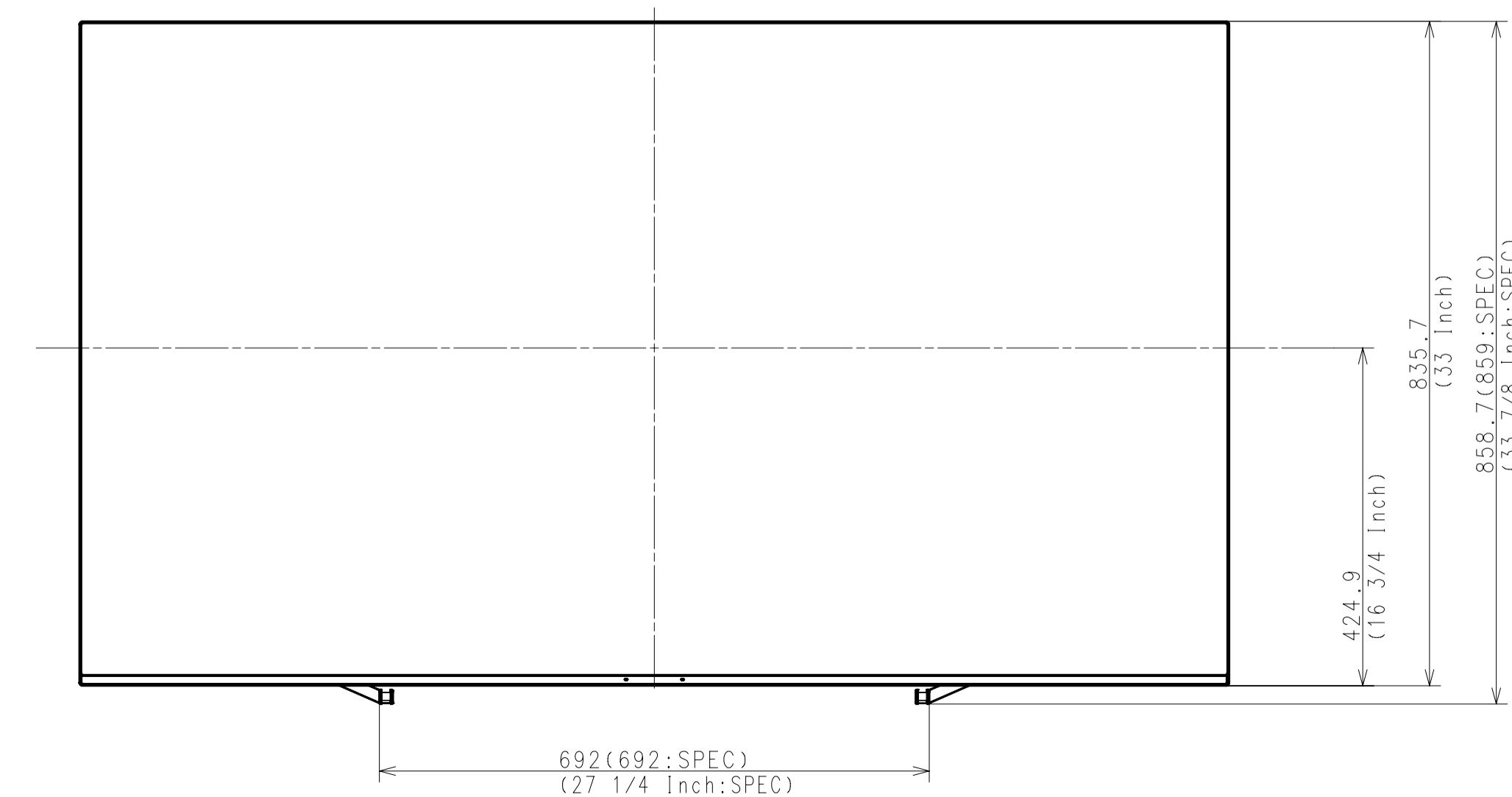
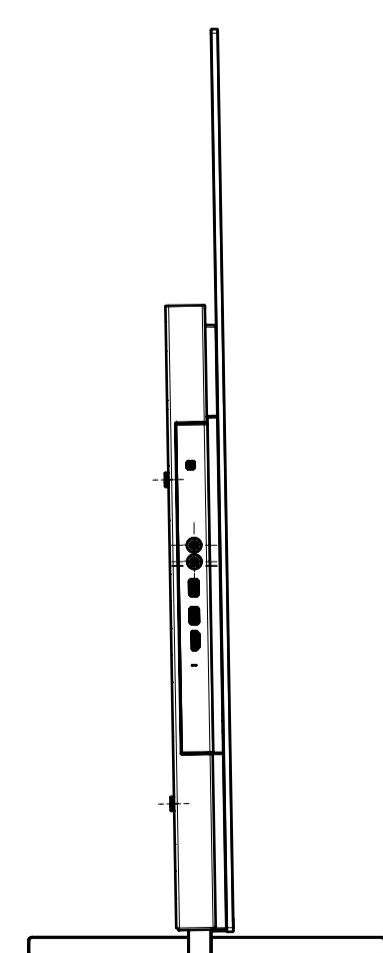
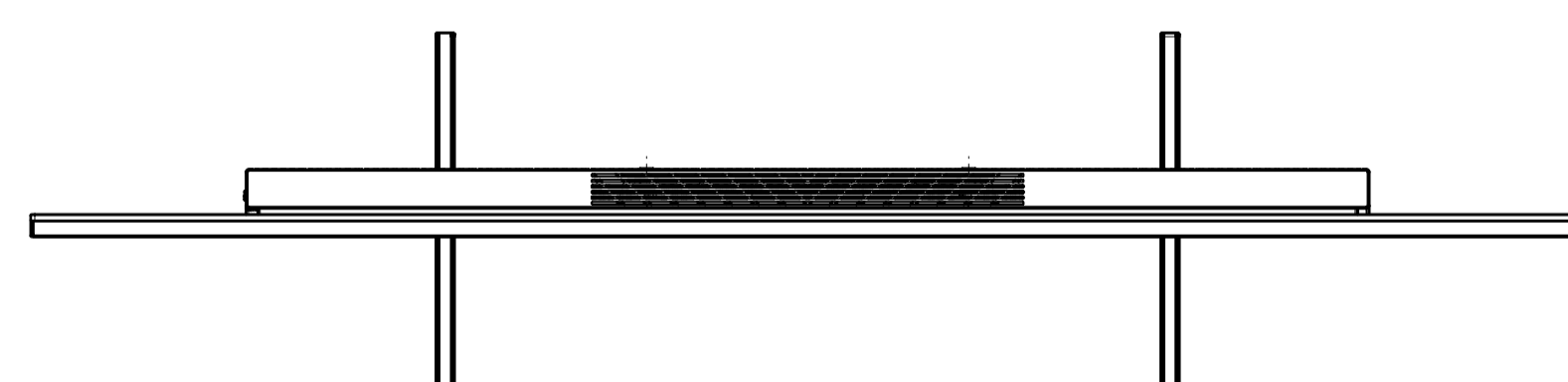
Sony XR-65A80J all dimentions technical cut sheet/CAD drawings
Complements of:

Value Electronics
Sony Diamond Dealer
914-723-3344

www.ValueElectronics.com

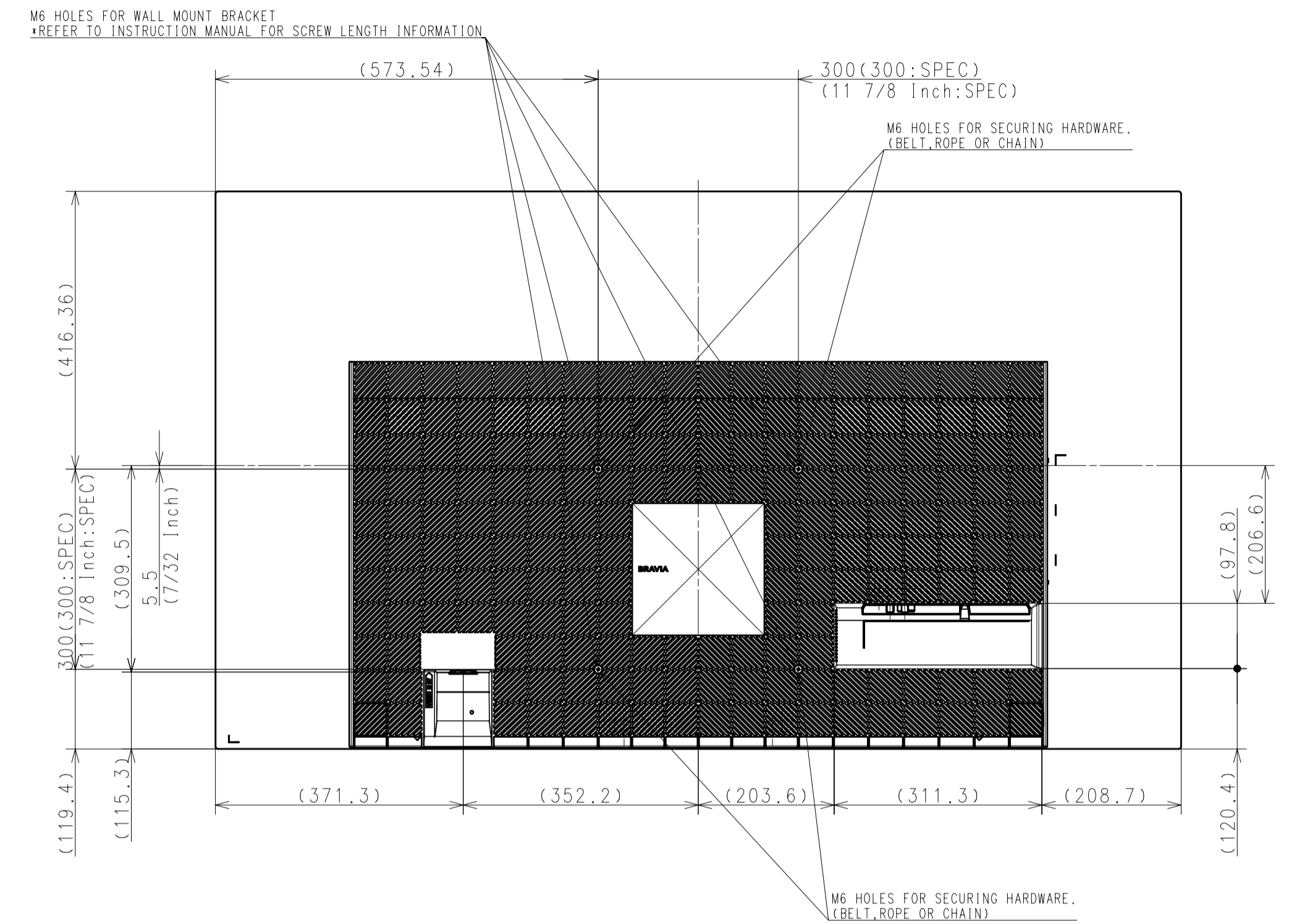
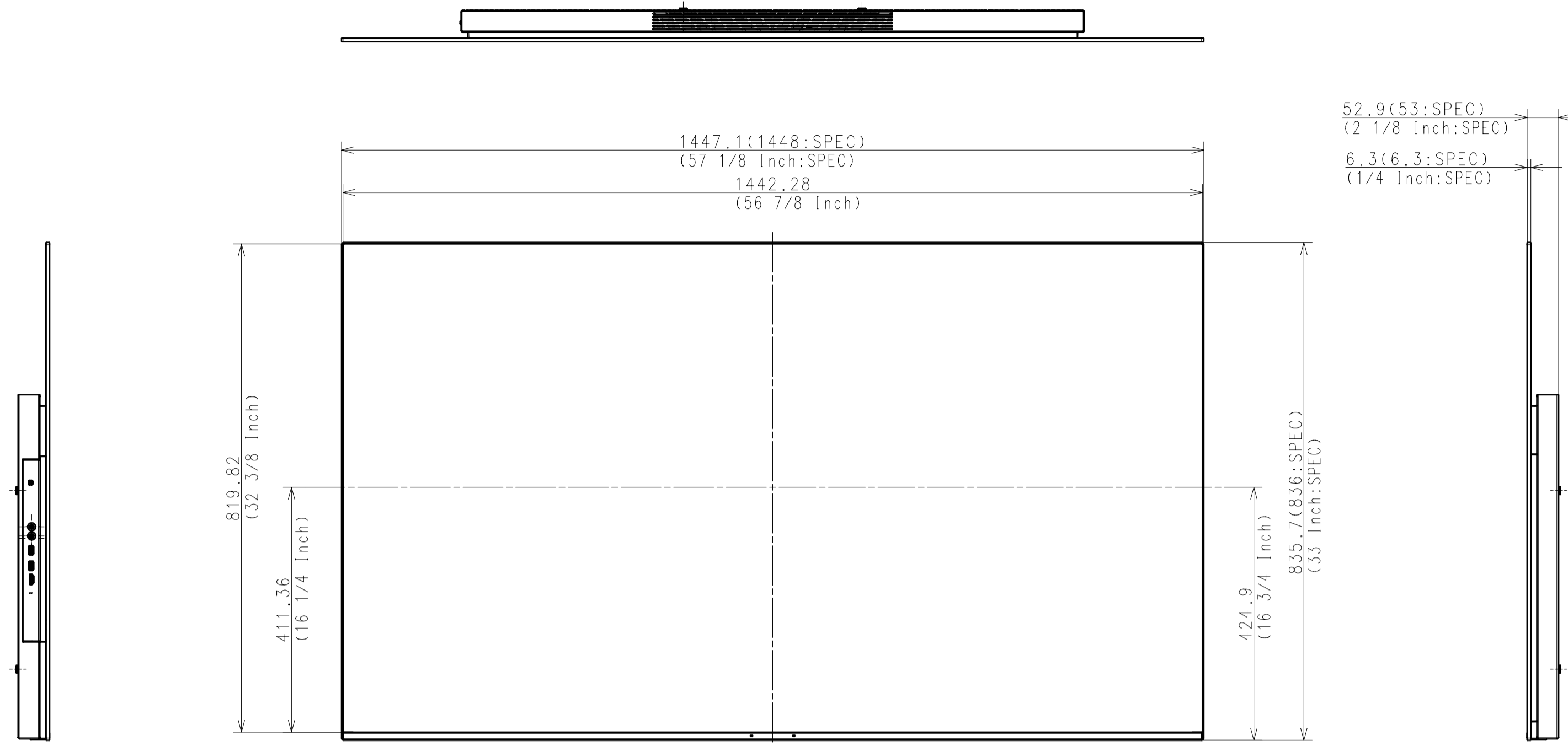


WITH STAND
NARROW POSITION

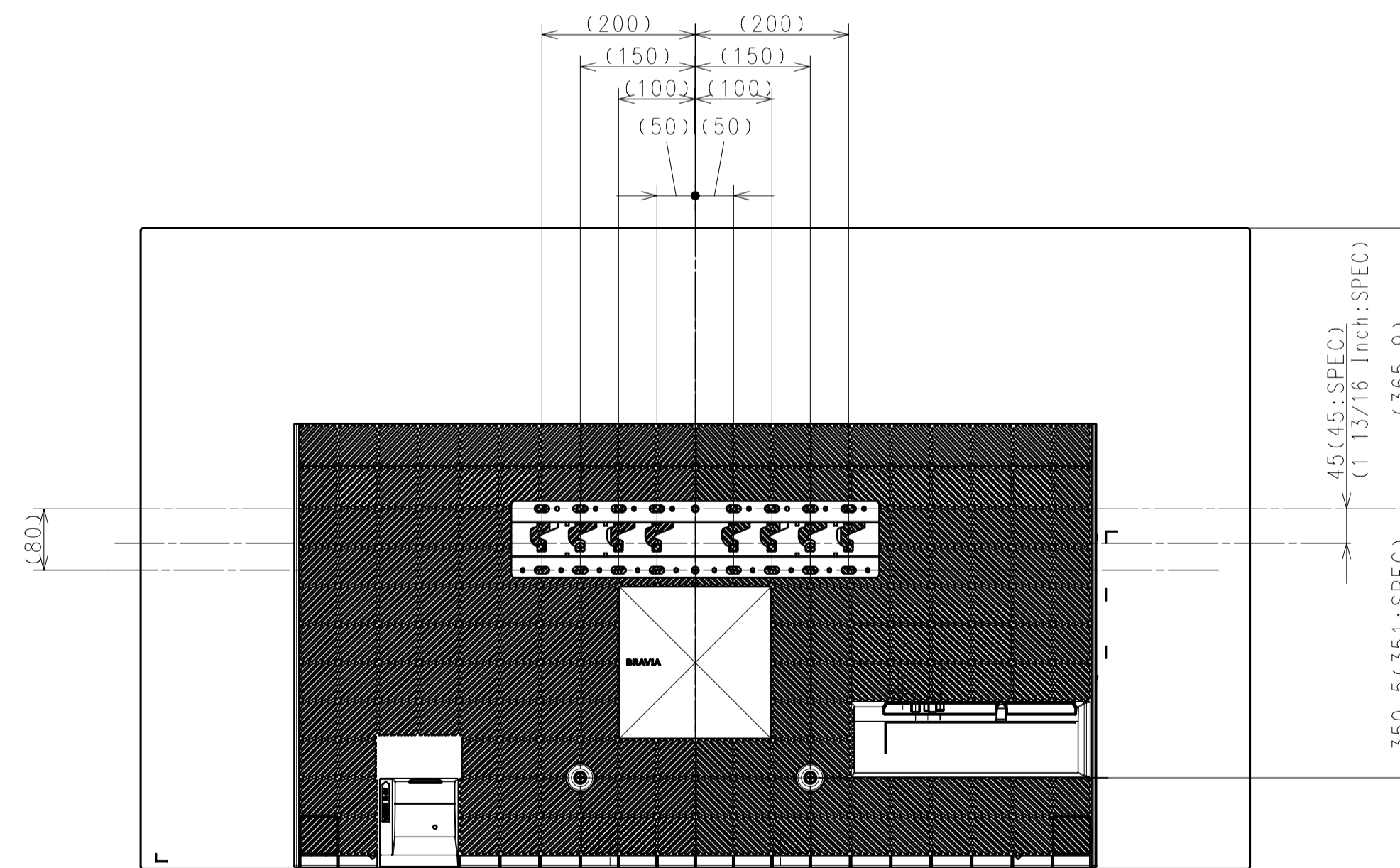


DESCRIPTION 1	LEGAL OWNER	SCALE
65(A80J) EXTERIOR VIEW	Sony Corporation	1:7
DESCRIPTION 2	PART NO.	SHEET/PAGES
65(A80J) EXTERIOR VIEW		2 / 4

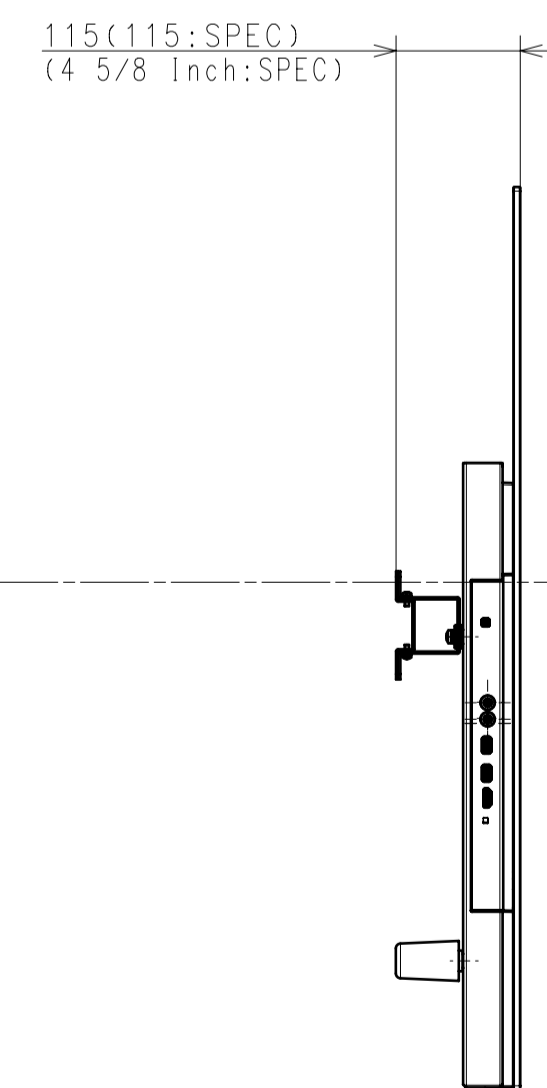
WITHOUT STAND



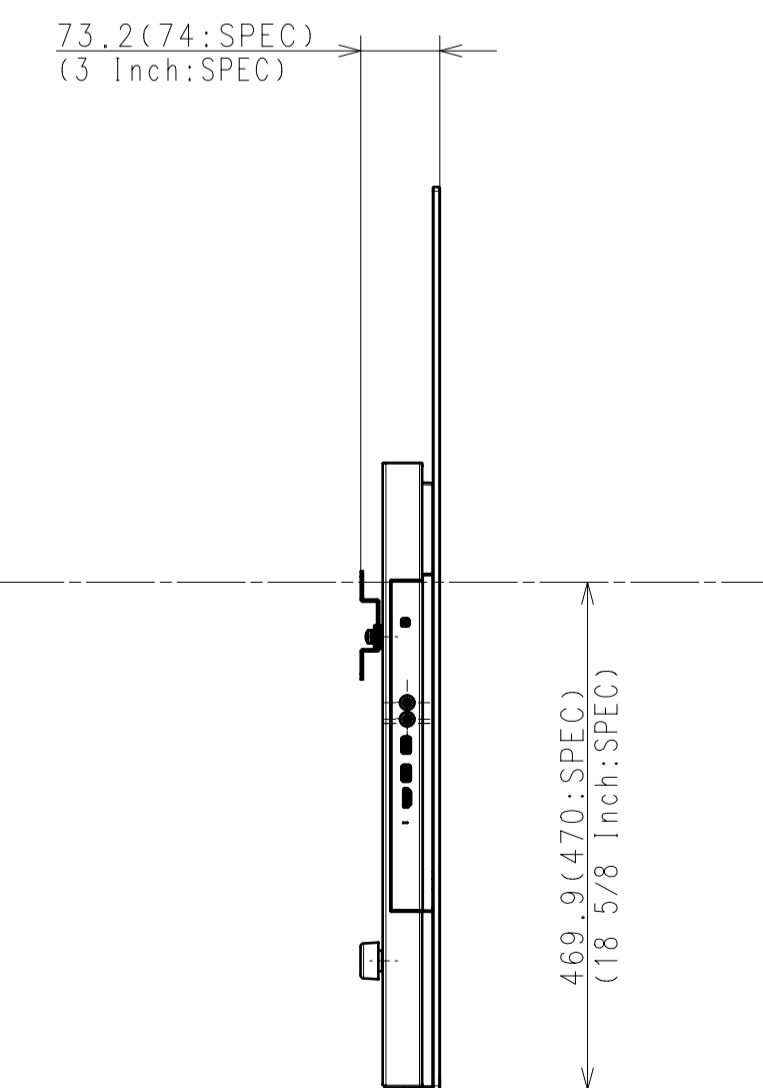
SU-WL450



STANDARD MOUNT



SLIM MOUNT



Sony XR-65A80J all dimensions technical cut sheet/CAD drawings
Complements of:

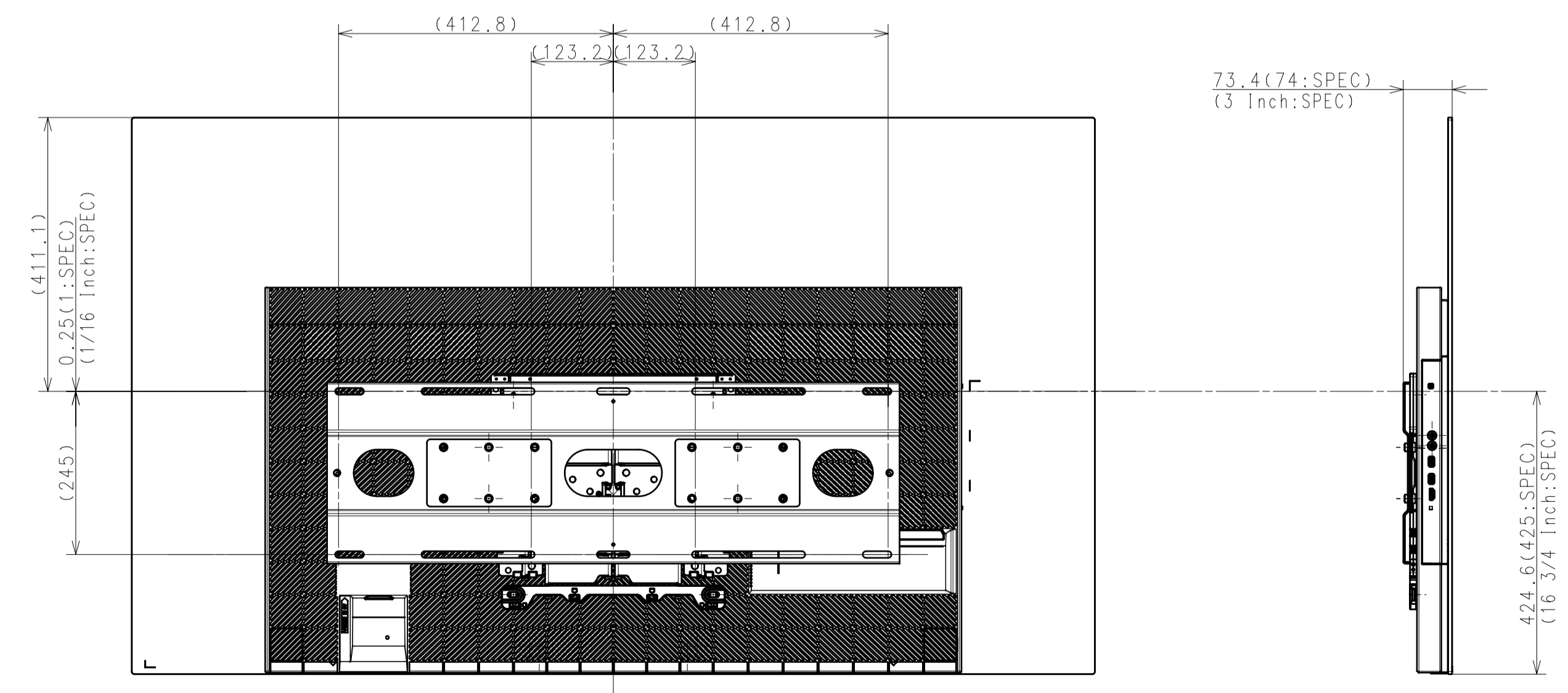
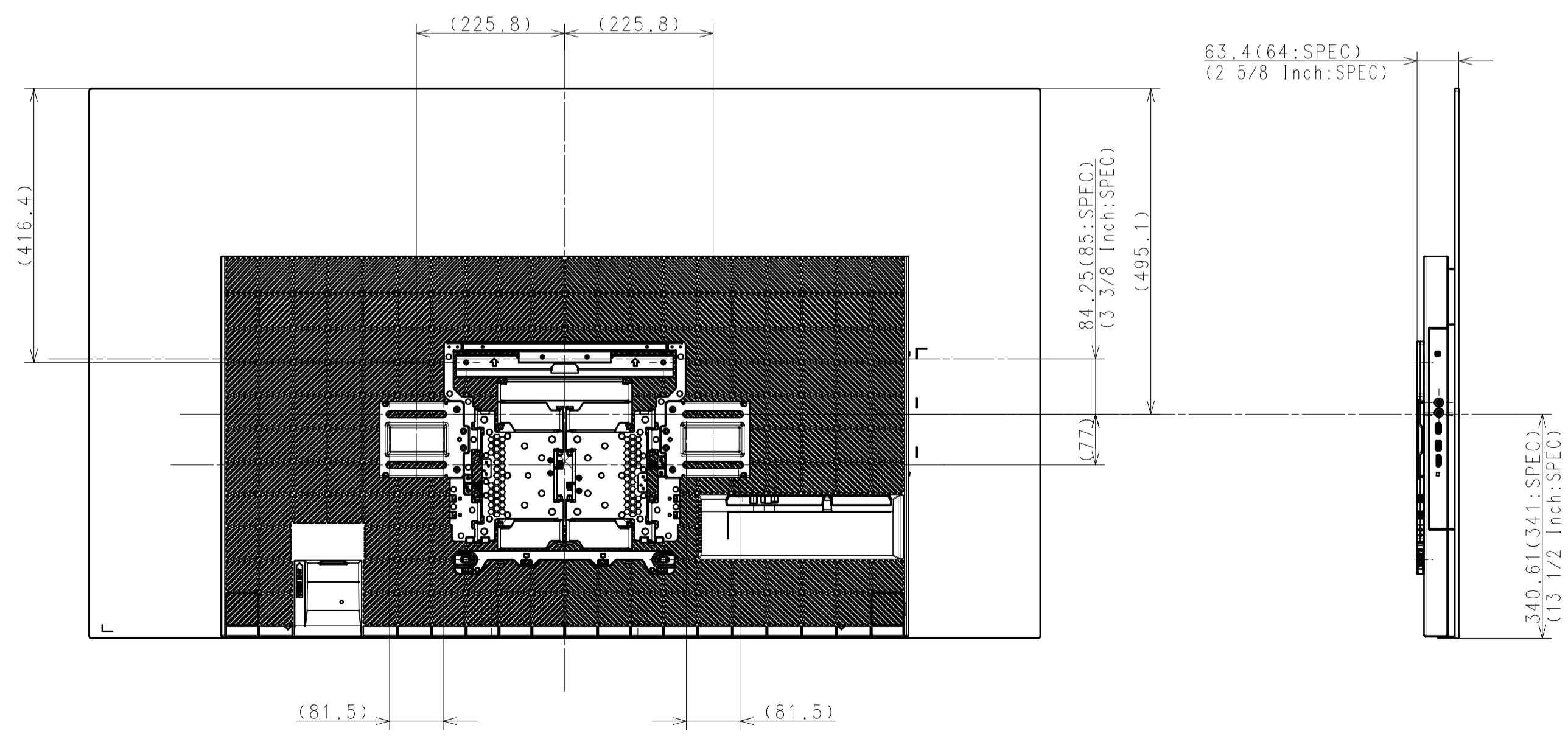
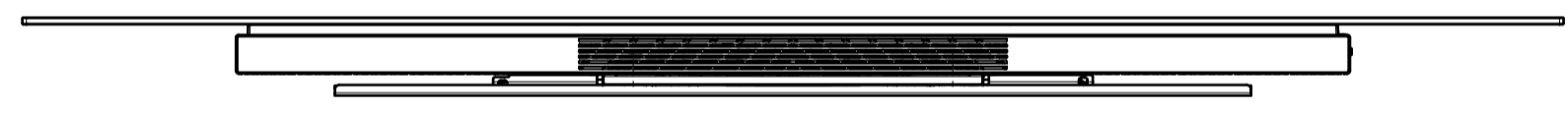
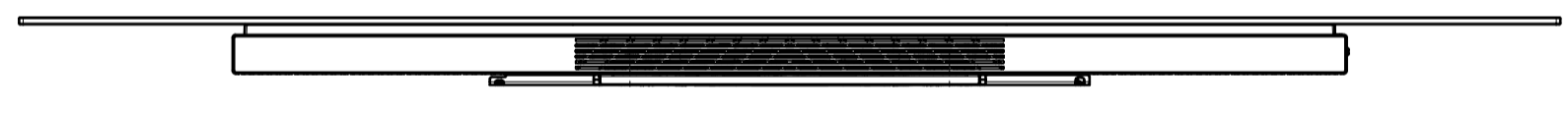
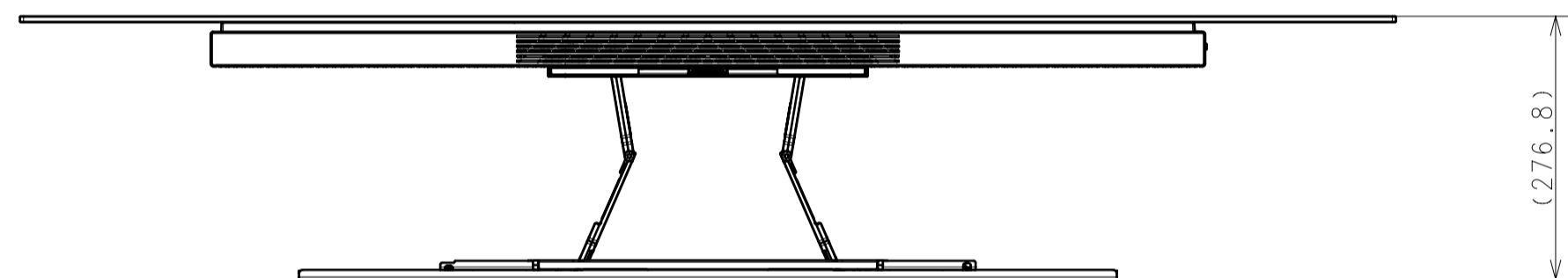
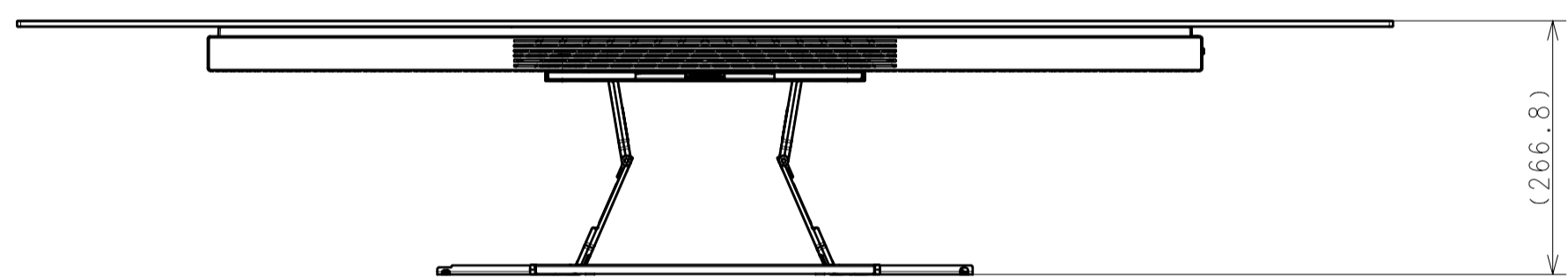
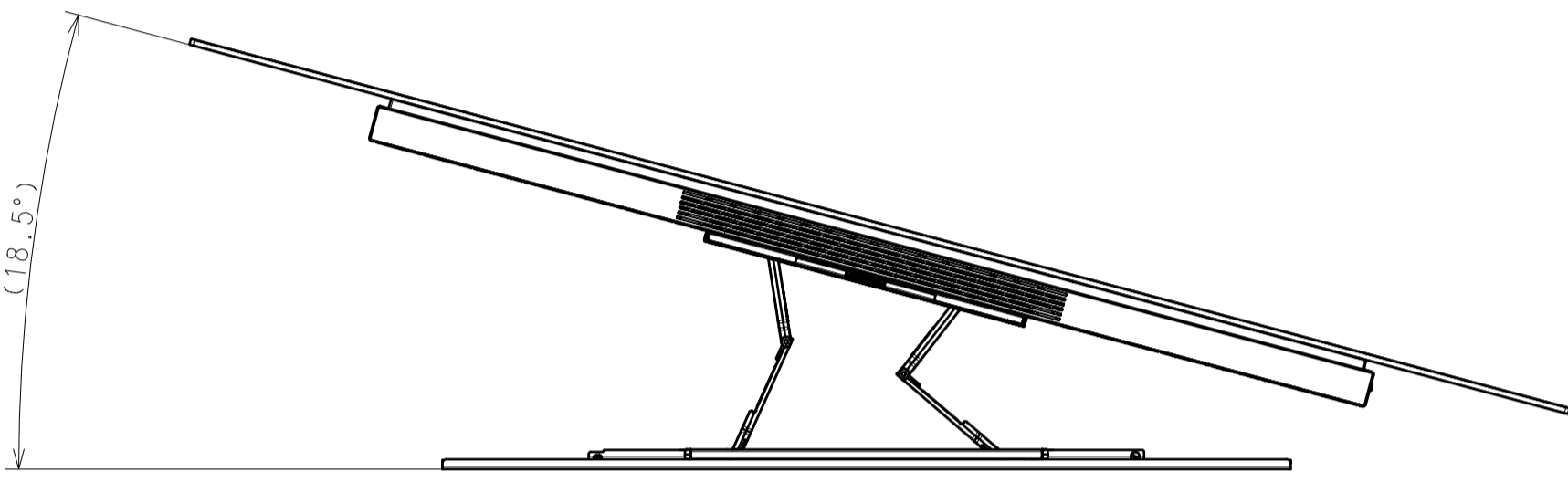
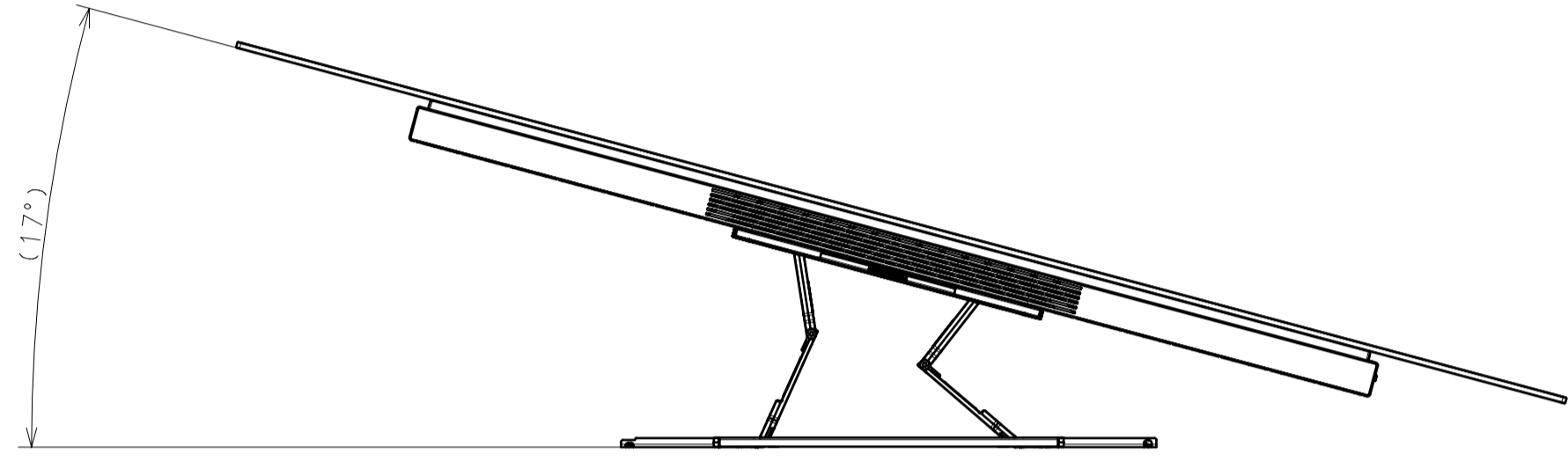
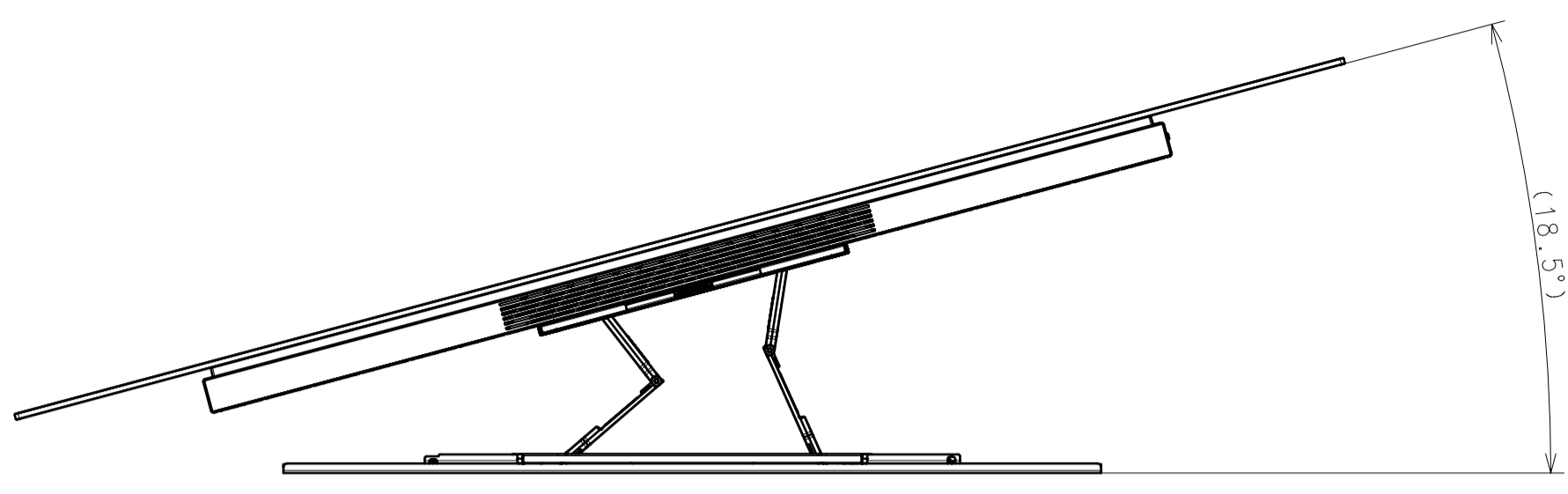
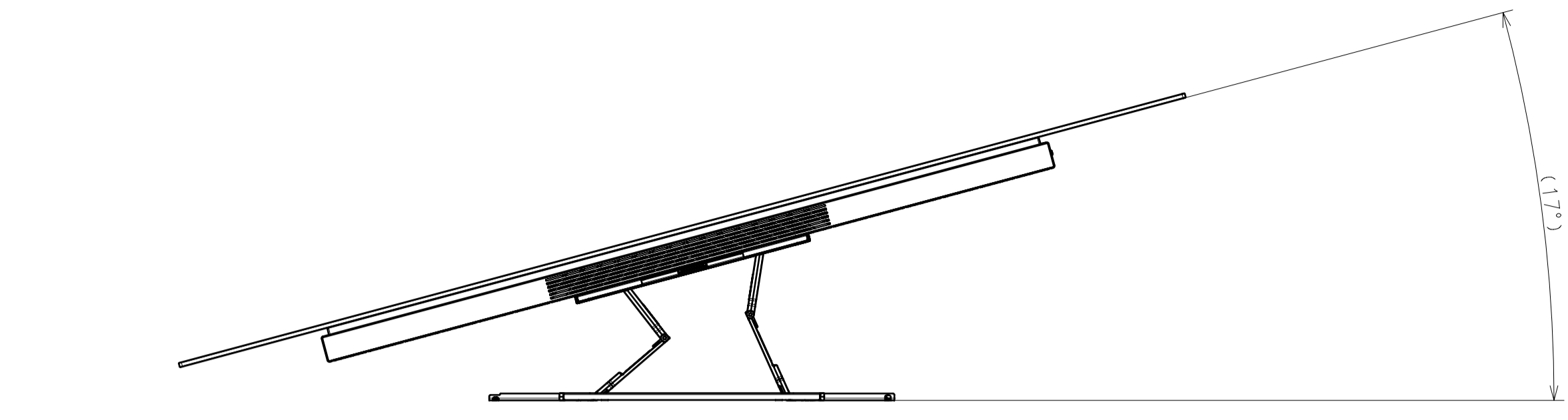
Value Electronics
Sony Diamond Dealer
914-723-3344

www.ValueElectronics.com

DESCRIPTION1	LEGAL OWNER	SCALE
65(A80J) EXTERIOR VIEW	Sony Corporation	1:7
DESCRIPTION2	PART NO.	SHEET/PAGES
65(A80J) EXTERIOR VIEW		3 / 4

SU-WL850

SU-WL850



DESCRIPTION 1	65(A80J) EXTERIOR VIEW	LEGAL OWNER	Sony Corporation	SCALE	1:7
DESCRIPTION 2	65(A80J) EXTERIOR VIEW	PART NO.		SHEET/PAGES	4 / 4