

LG OLED88Z2PUA Wall Mount Installation Guide - Complements of Value Electronics - LG Authorized Prestigious Pinnacle Dealer

LG SIGNATURE



Wall Mount Installation Guide

OLED88Z2PUA

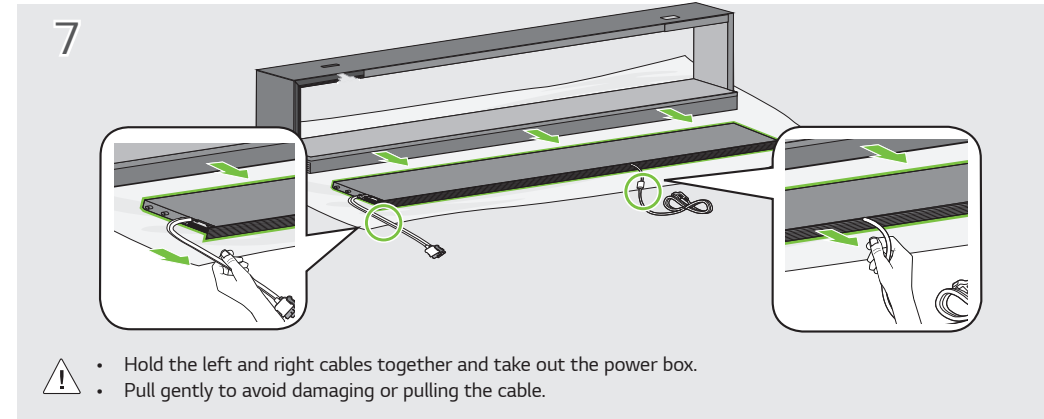
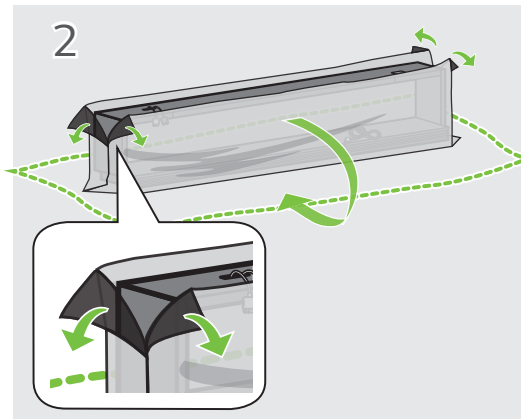
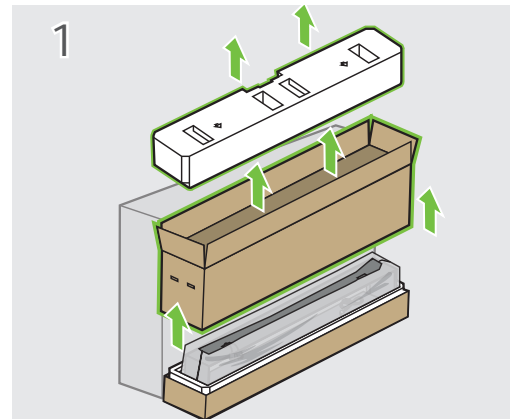
Printed in Korea

- ⚠ **Warning:** The Power Box can only be installed on a wall by a professional installer using Wall Mount Brackets (LSW640, OLV480) sold separately by LG Electronics.
- If you need accessories such as rubber pads and ferrite cores, please contact LG CI support. (Email : custominstall@lge.com, Tel : 833-288-8397)

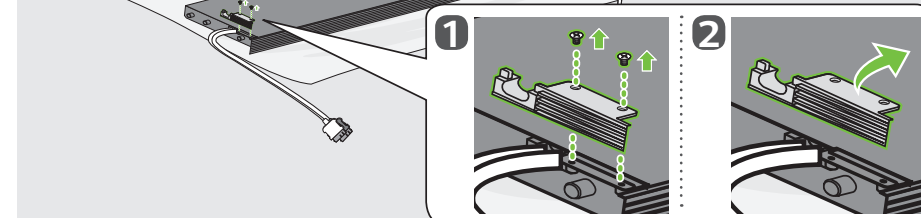
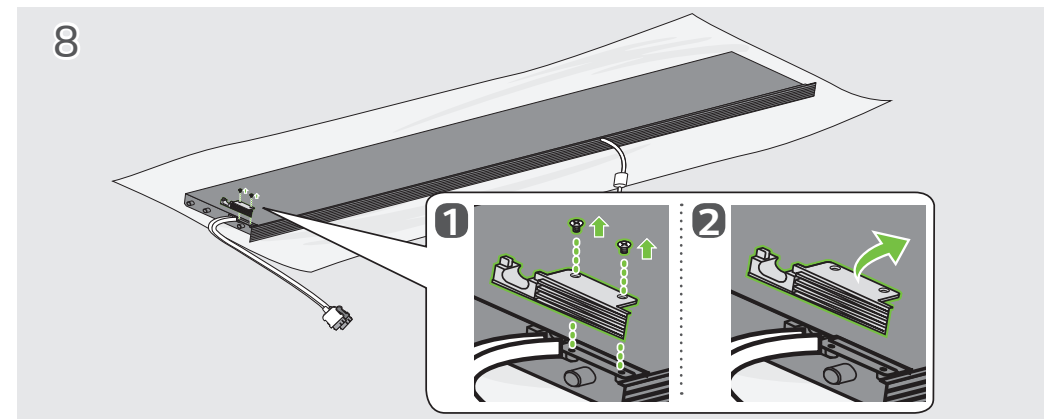
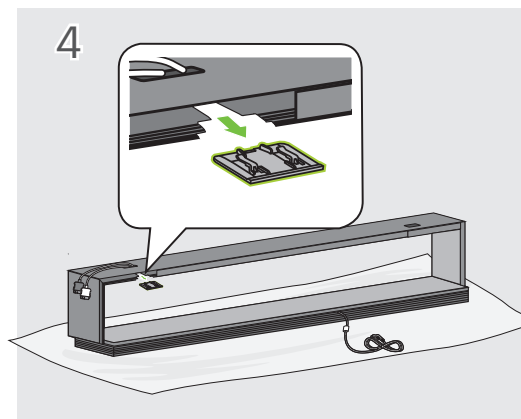
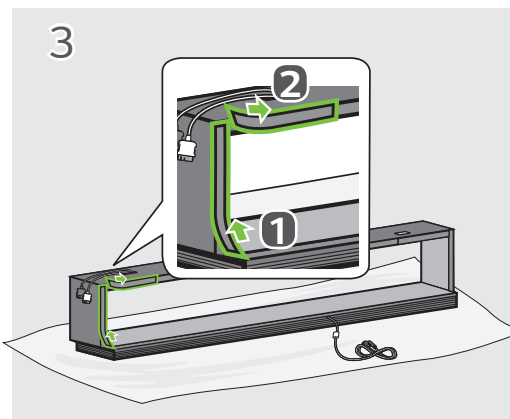
- ⚠ Be careful not to damage the product.



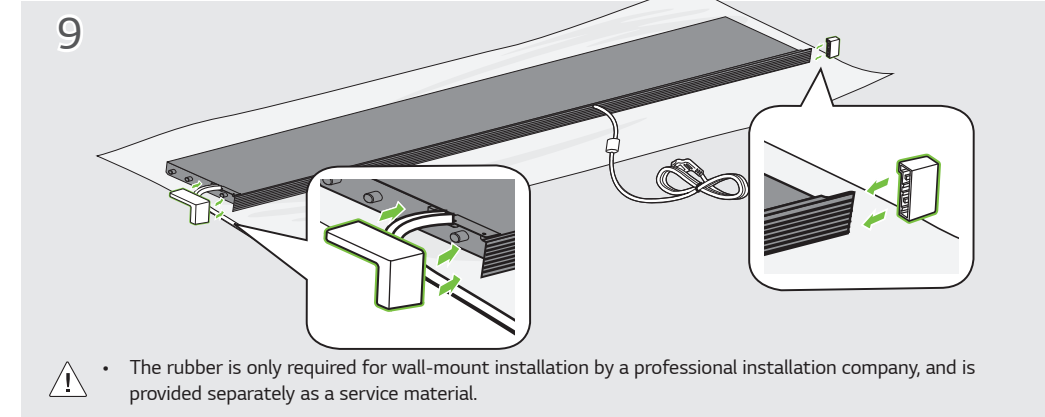
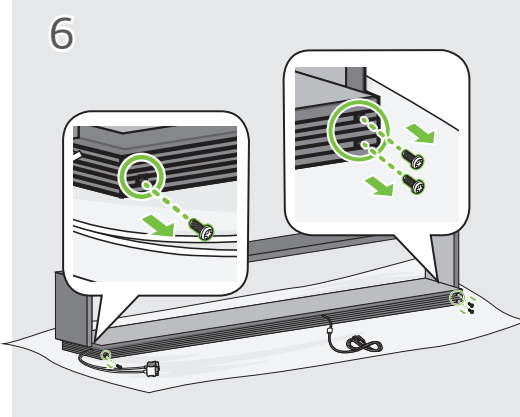
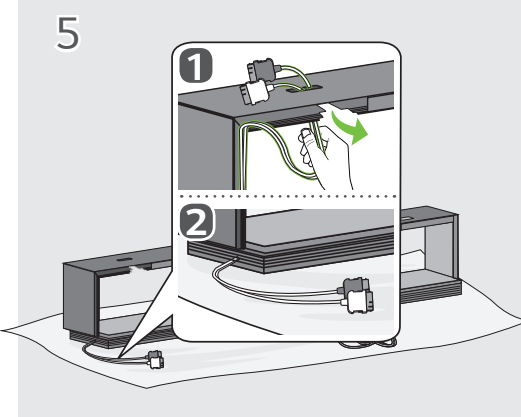
Power Box (Stand Built in) Removal and Installation Guide



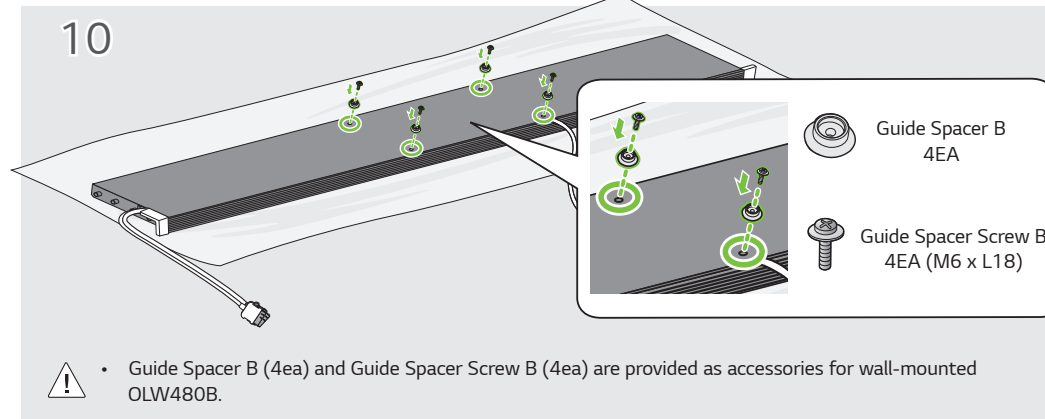
- ⚠ Hold the left and right cables together and take out the power box.
- Pull gently to avoid damaging or pulling the cable.



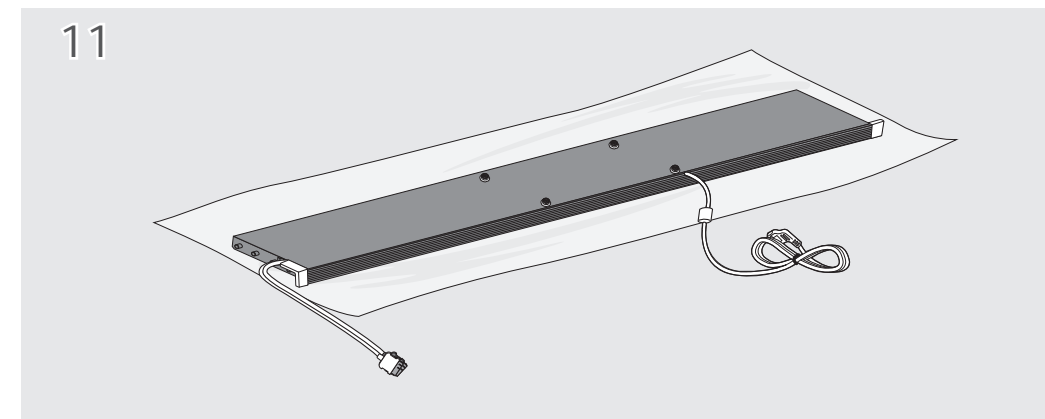
- ⚠ Hold the left and right cables together and take out the power box.
- Pull gently to avoid damaging or pulling the cable.



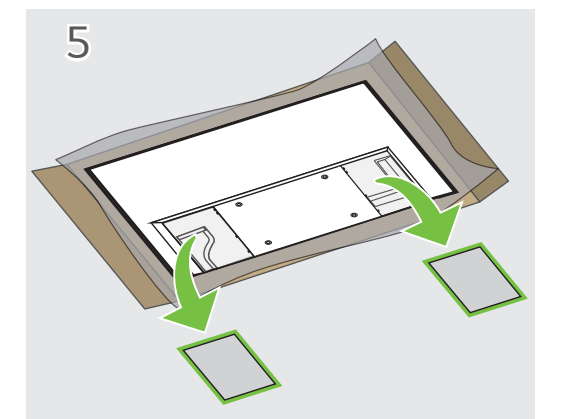
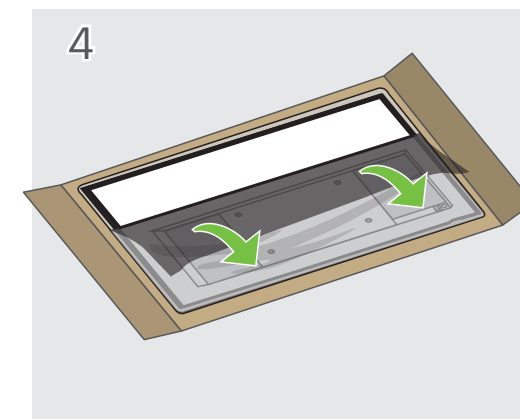
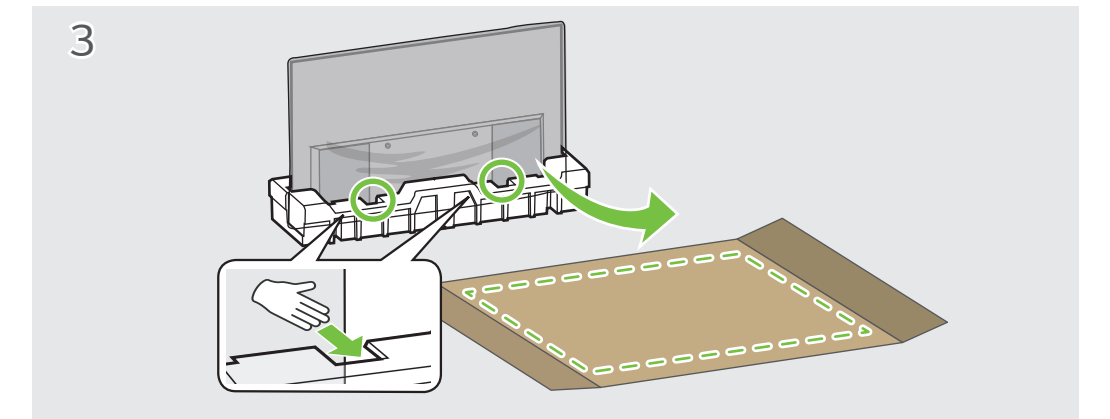
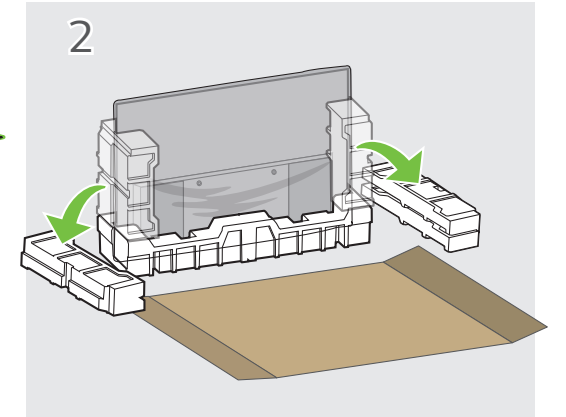
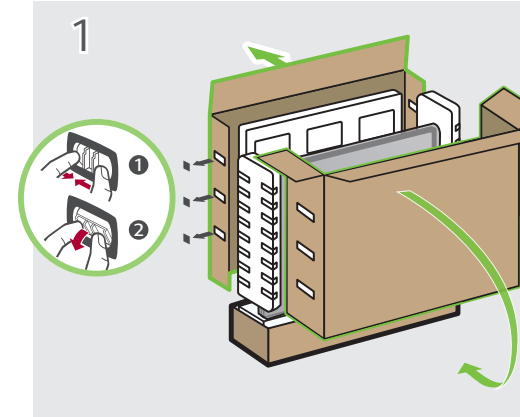
- ⚠ The rubber is only required for wall-mount installation by a professional installation company, and is provided separately as a service material.



- ⚠ Guide Spacer B (4ea) and Guide Spacer Screw B (4ea) are provided as accessories for wall-mounted OLV480B.



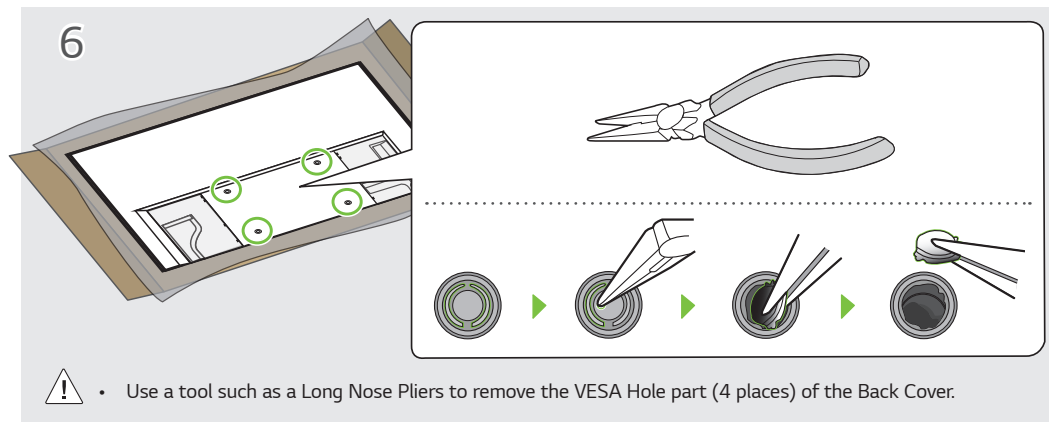
Head Part Installation Guide



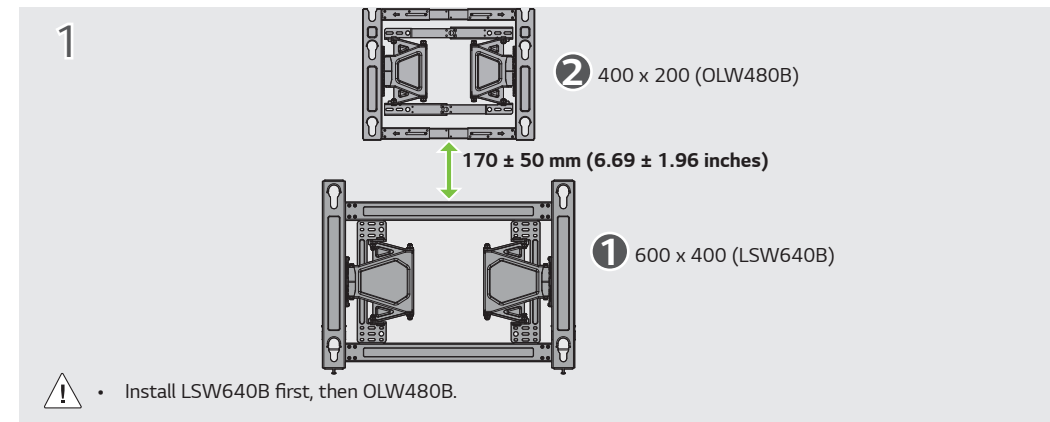
Value Electronics - 35 Popham Rd, Scarsdale, NY 10583 - 914-723-3344 info@valueelectronics.com

TV & Wall Mount Bracket Installation Guide

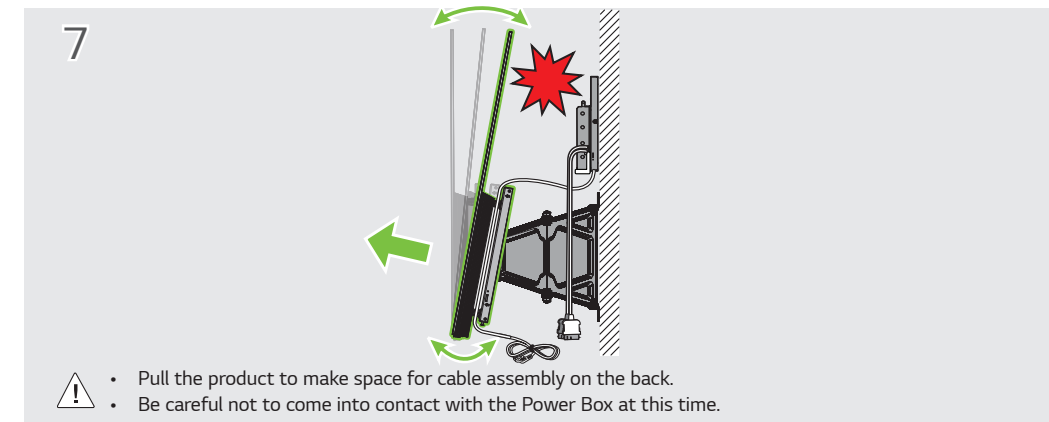
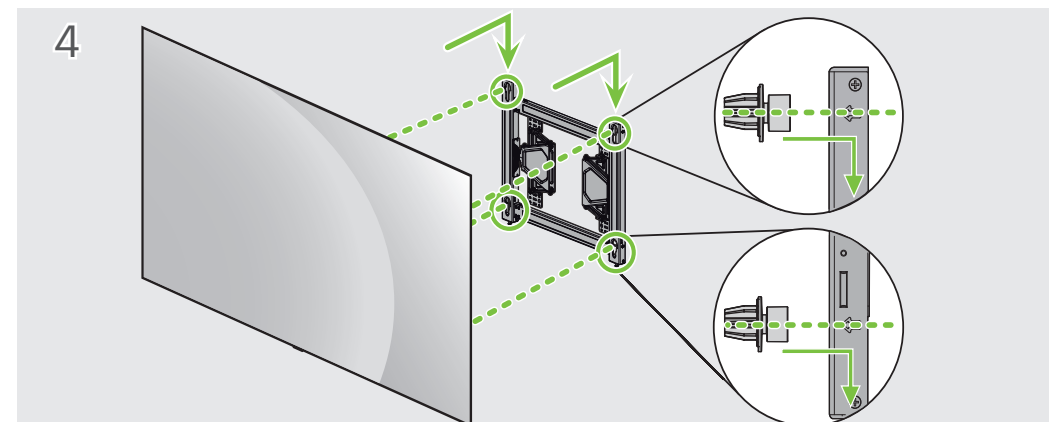
Warning: For detailed wall mount installation methods (angle adjustment, fixing, etc.), please refer to the manual provided with the wall mount bracket.



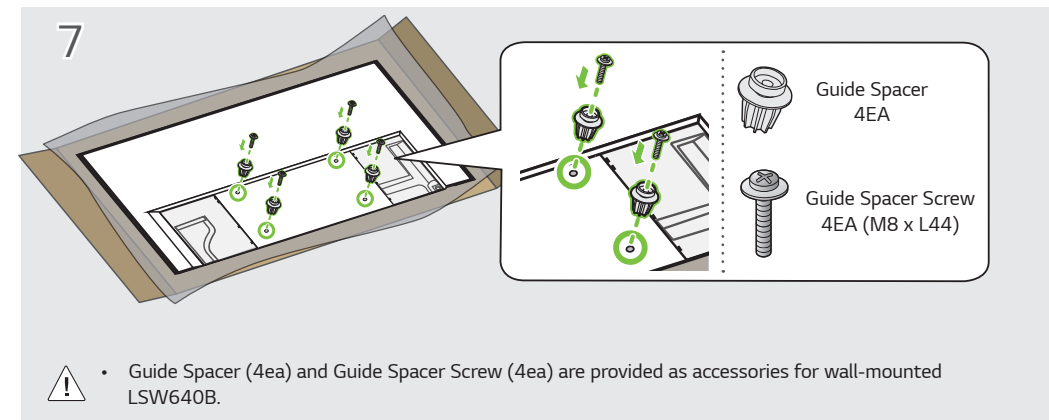
Use a tool such as a Long Nose Pliers to remove the VESA Hole part (4 places) of the Back Cover.



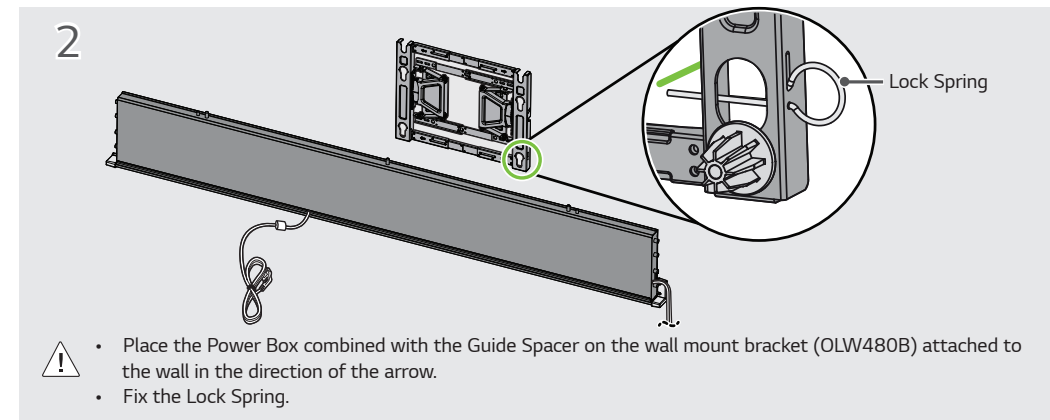
Install LSW640B first, then OLW480B.



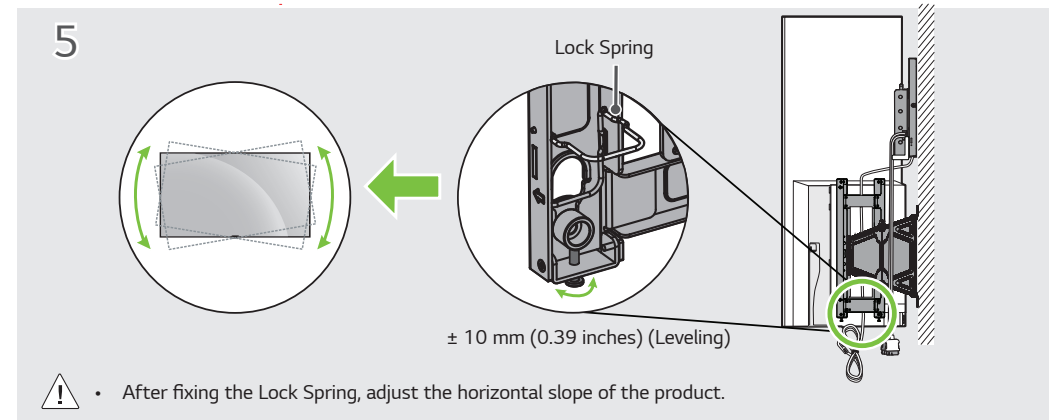
Pull the product to make space for cable assembly on the back. Be careful not to come into contact with the Power Box at this time.



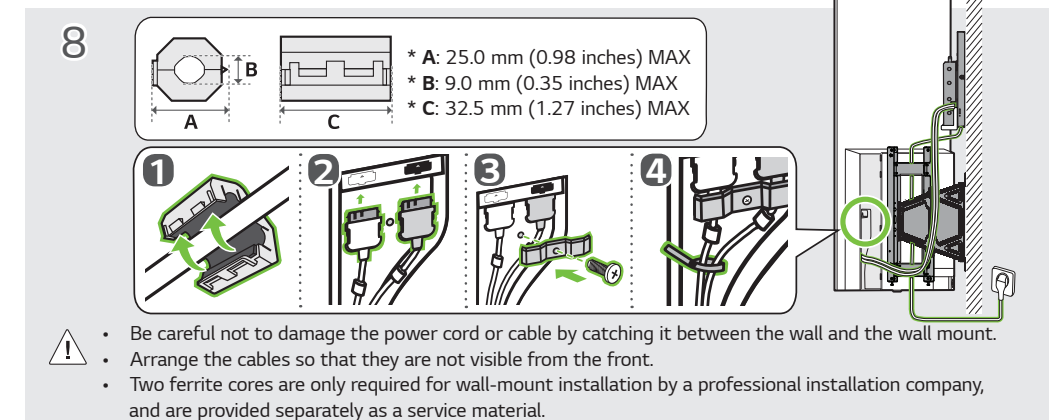
Guide Spacer (4ea) and Guide Spacer Screw (4ea) are provided as accessories for wall-mounted LSW640B.



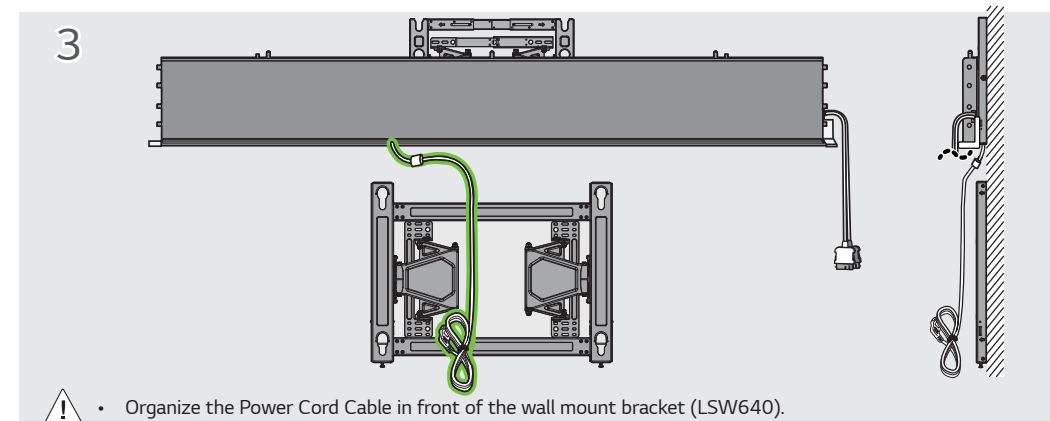
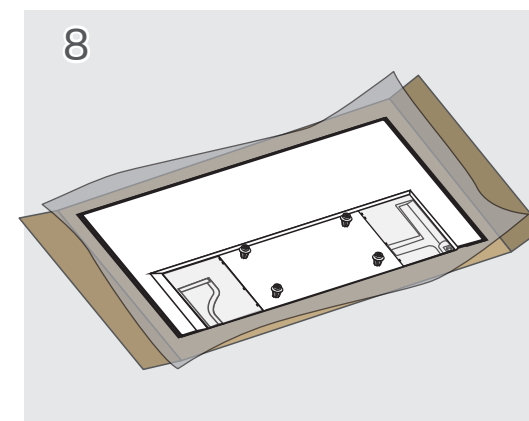
Place the Power Box combined with the Guide Spacer on the wall mount bracket (OLW480B) attached to the wall in the direction of the arrow. Fix the Lock Spring.



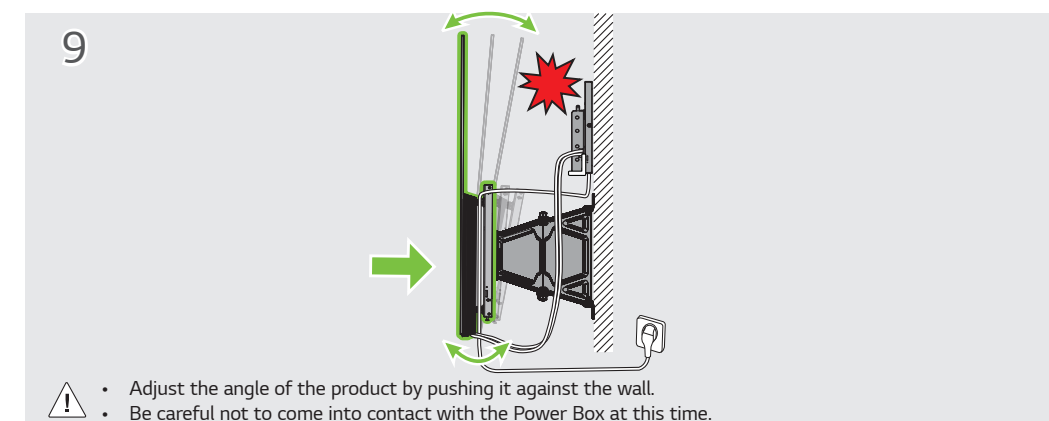
After fixing the Lock Spring, adjust the horizontal slope of the product.



Be careful not to damage the power cord or cable by catching it between the wall and the wall mount. Arrange the cables so that they are not visible from the front. Two ferrite cores are only required for wall-mount installation by a professional installation company, and are provided separately as a service material.



Organize the Power Cord Cable in front of the wall mount bracket (LSW640).



Adjust the angle of the product by pushing it against the wall. Be careful not to come into contact with the Power Box at this time.