

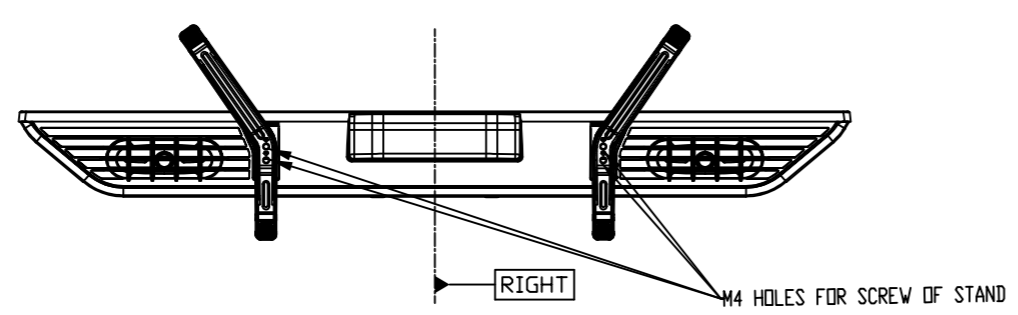
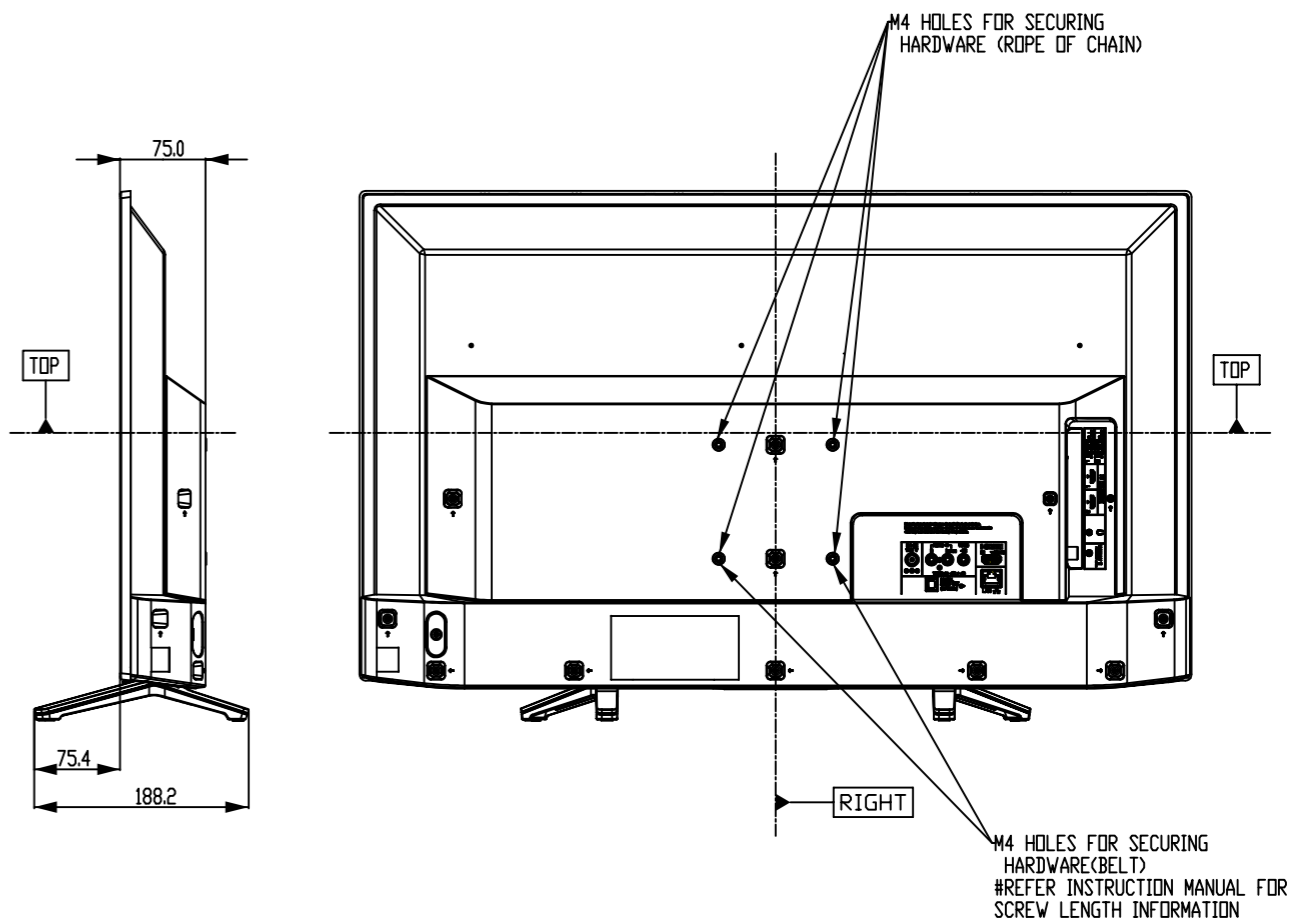
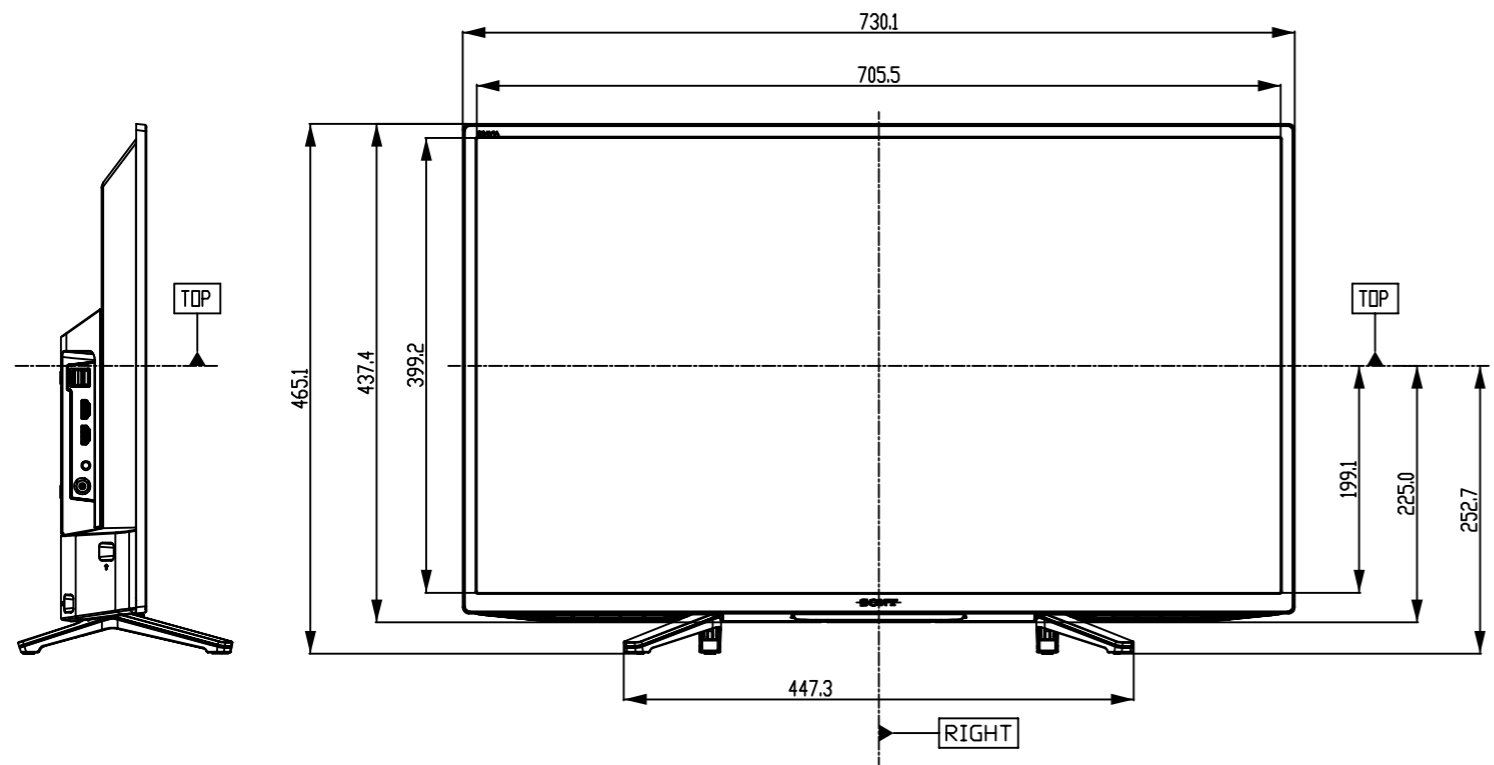
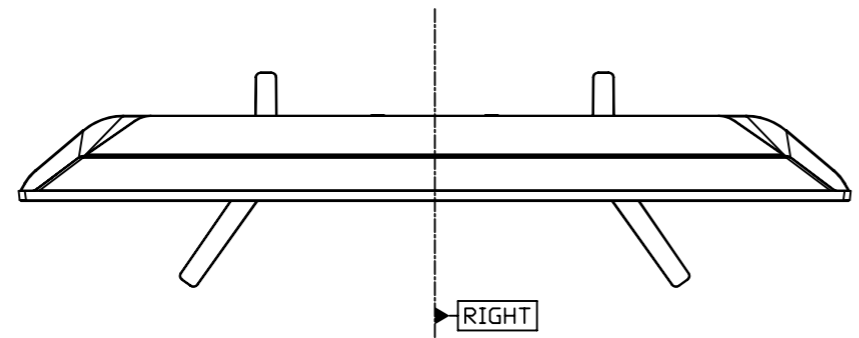
ITEM	ECN NO.	POSITION	REVISION LIST		DATE	UPDATED BY	APPROVED BY
			DESCRIPTION	IS			



Value Electronics
 35 Popham Rd, Scarsdale, NY 10583
 Phone: (914) 723-3344
 Email: info@valueelectronics.com

OVERALL OUTLINE INCLUDE STAND
 APPLY FOR ALL MODEL

Area	11	12	13	14	15	16	17	18
Model Name			KD-32W830K	KD-32W820K	KD-32W830K	KD-32W830K		KD-32W830K
SV No.			SV-40246	SV-40244	SV-40178	SV-40245		SV-40204
DIMENSION	TV only (WxHxD)	730x437x75mm	730x437x75mm	730x437x75mm	730x437x75mm	730x437x75mm	730x437x75mm/28 3/4x17 1/4x3inches	
	TV only with camera (WxHxD)	-	-	-	-	-	-	-
	TV with Stand (Standard position) (WxHxD)	730x465x188mm	730x465x188mm	730x465x188mm	730x465x188mm	730x465x188mm	730x465x188mm/28 3/4x18 3/8x7 1/2inches	
	TV with Stand (Narrow position) (WxHxD)	-	-	-	-	-	-	-
	TV with Stand (Soundbar position) (WxHxD)	-	-	-	-	-	-	-
	TV with Stand (Front position style) (WxHxD)	-	-	-	-	-	-	-
	TV with Stand (Back position style) (WxHxD)	-	-	-	-	-	-	-
	TV with Floor Stand (WxHxD)	-	-	-	-	-	-	-
	Stand Width (Standard position)	447.3mm	447.3mm	447.3mm	447.3mm	447.3mm	447.3mm/17 3/4inches	
	Stand Width (Narrow position)	-	-	-	-	-	-	-
	Stand Width (Soundbar position)	-	-	-	-	-	-	-
	Stand Width (Front position style)	-	-	-	-	-	-	-
	Stand Width (Back position style)	-	-	-	-	-	-	-
	Floor Stand Width	-	-	-	-	-	-	-
	VESA Hole Pitch	100x100mm	100x100mm	100x100mm	100x100mm	100x100mm	100x100mm/4x4inches	
WEIGHT	TV only	4.8kg	4.8kg	4.8kg	4.8kg	4.8kg	4.8kg/10.6lb.	
	TV with Stand (Standard position)	5.0kg	5.0kg	5.0kg	5.0kg	5.0kg	5.0kg/11.1lb.	
	TV with Stand (Narrow position)	-	-	-	-	-	-	-
	TV with Stand (Soundbar position)	-	-	-	-	-	-	-
	TV with Stand (Front/Back position style)	-	-	-	-	-	-	-
	TV with Floor Stand	-	-	-	-	-	-	-
	Floor Stand weight (Supply)	-	-	-	-	-	-	-
	W-M't Br. Weight (Supply)	-	-	-	-	-	-	-
Remarks								



SCALE 1.000

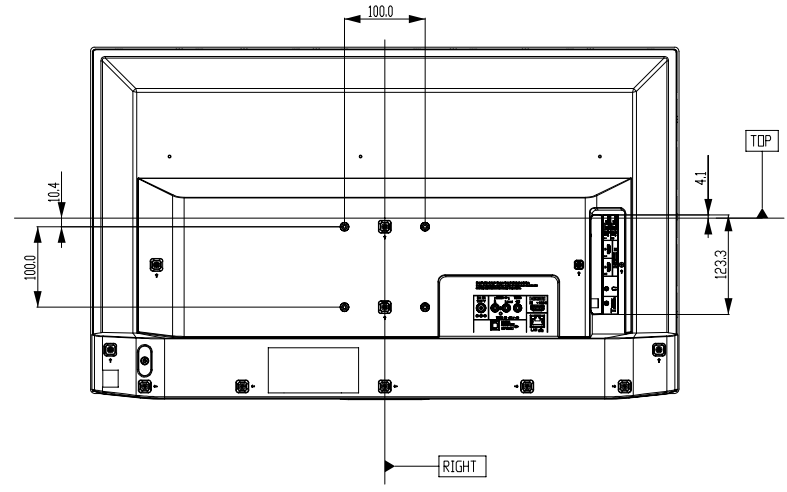
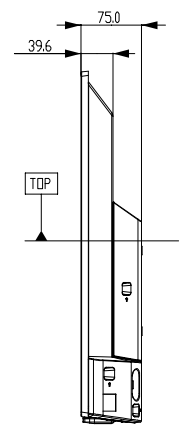
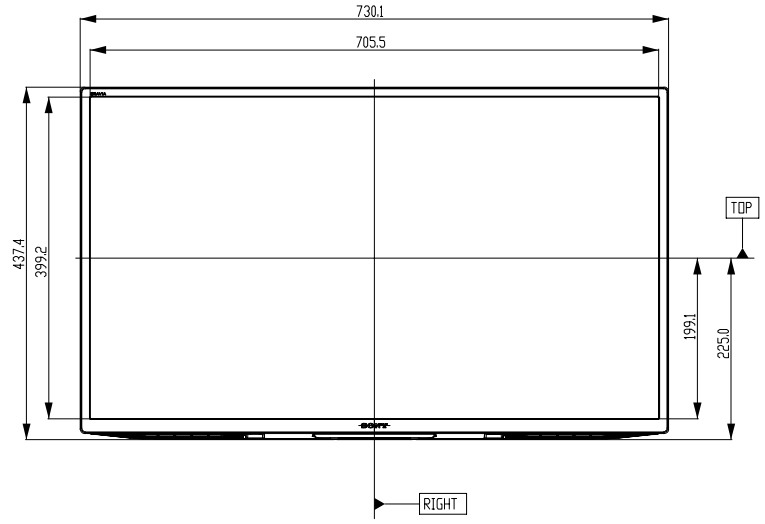
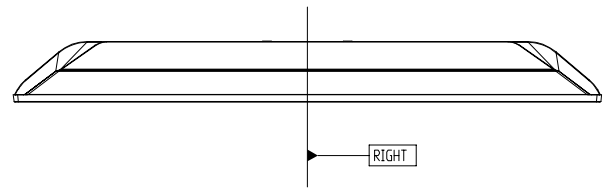


TOLERANCE UNLESS OTHERWISE SPECIFIED (mm)	UNIT	DATE
RANGE OF SIZE	PLASTIC	
0-30	±0.10	
30-60	±0.15	
60-120	±0.20	
120-150	±0.25	
150-300	±0.30	
300-600	±0.40	
600-1200	±0.50	
1200-UPON	±0.50	

APAE 32	DATE	BY
27/12/2021	Wendy	
27/12/2021	Patrick	

DETAIL OUTLINE WITHOUT STAND

APPLY FOR ALL MODEL



SCALE 1:000



Value Electronics 35 Popham Rd, Scarsdale, NY 10583 (914) 723-3344 Email: info@valueelectronics.com

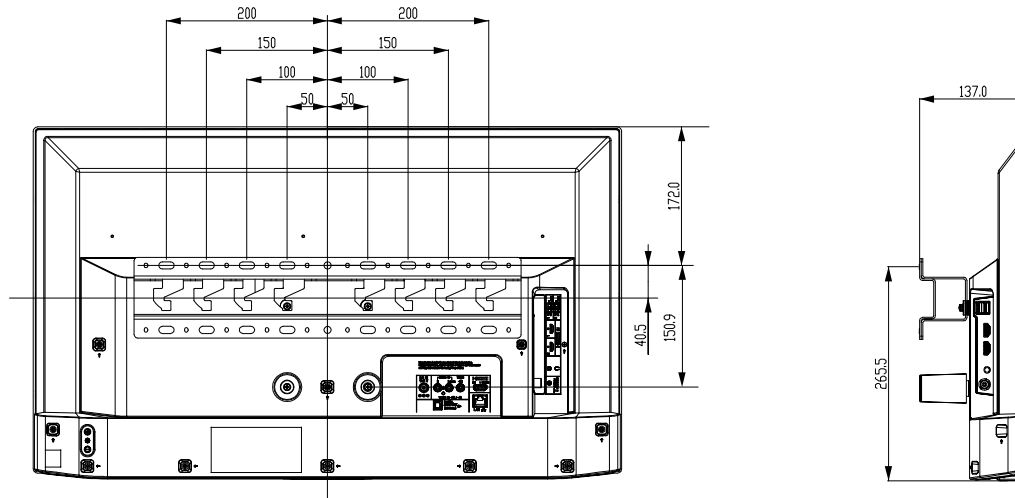
TOLERANCE UNLESS OTHERWISE SPECIFIED (mm)		SCALE 1:000		DATE 14/12/2021		DRAWN BY jay Pa Trick	
NAME OF DIM	MATERIAL	PLACEMENT	CHARACTER	DATE	SCALE	DATE	BY
20-45	ABS						
20-45	ABS						
120-200	ABS	+0/-0.2					
120-200	ABS						
200-450	ABS						
600-1000	ABS	+0/-0.3					
1000-OPEN	ABS	+0/-0.5					

REV: AP42 32	REV D	REV D XXXX 32" ED DRAWING
DATE P/01	DATE P/01	DATE P/01
DESIGNED BY	DESIGNED BY	DESIGNED BY
CHECKED BY	CHECKED BY	CHECKED BY
DATE 14/12/2021	DATE 14/12/2021	DATE 14/12/2021
www.Vendy	www.Vendy	www.Vendy
Internal Supplier of Plastic Screw Boss	Internal Supplier of Plastic Screw Boss	Internal Supplier of Plastic Screw Boss

SU-WL450 STANDARD



Sony Diamond Dealer



SCALE 1:000

Value Electronics 35 Popham Rd, Scarsdale, NY 10583 (914) 723-3344 Email: info@valueelectronics.com

TOLERANCE UNLESS OTHERWISE SPECIFIED (mm)				REV		DATE	
SIZE	MATERIAL	POSITION	DATE	NO.	DESCRIPTION	DATE	BY
0-25	ALUM.			1	ISSUE		
25-50	ALUM.			2	REVISED DIMENSIONS		
50-75	ALUM.			3	REVISED DIMENSIONS		
75-100	ALUM.			4	REVISED DIMENSIONS		
100-125	ALUM.			5	REVISED DIMENSIONS		
125-150	ALUM.			6	REVISED DIMENSIONS		
150-175	ALUM.			7	REVISED DIMENSIONS		
175-200	ALUM.			8	REVISED DIMENSIONS		
200-OPEN	ALUM.			9	REVISED DIMENSIONS		

APAC 32	REV D	REV D	REV D
DATE	DATE	DATE	DATE
14/12/2021	14/12/2021	14/12/2021	14/12/2021
14	15	16	17

