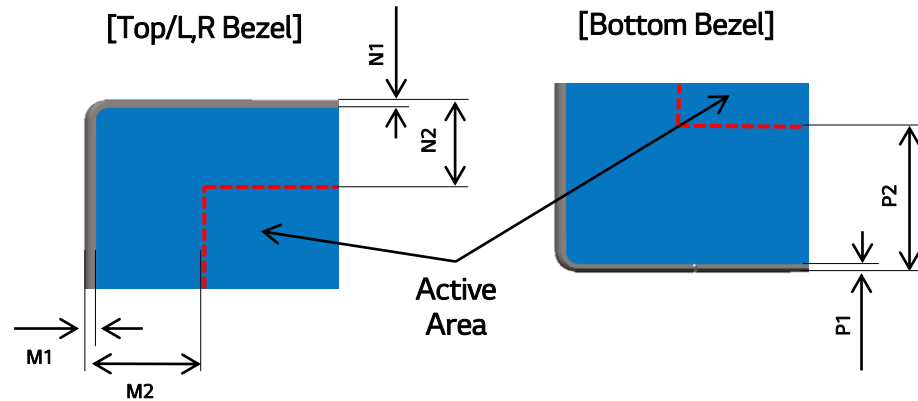
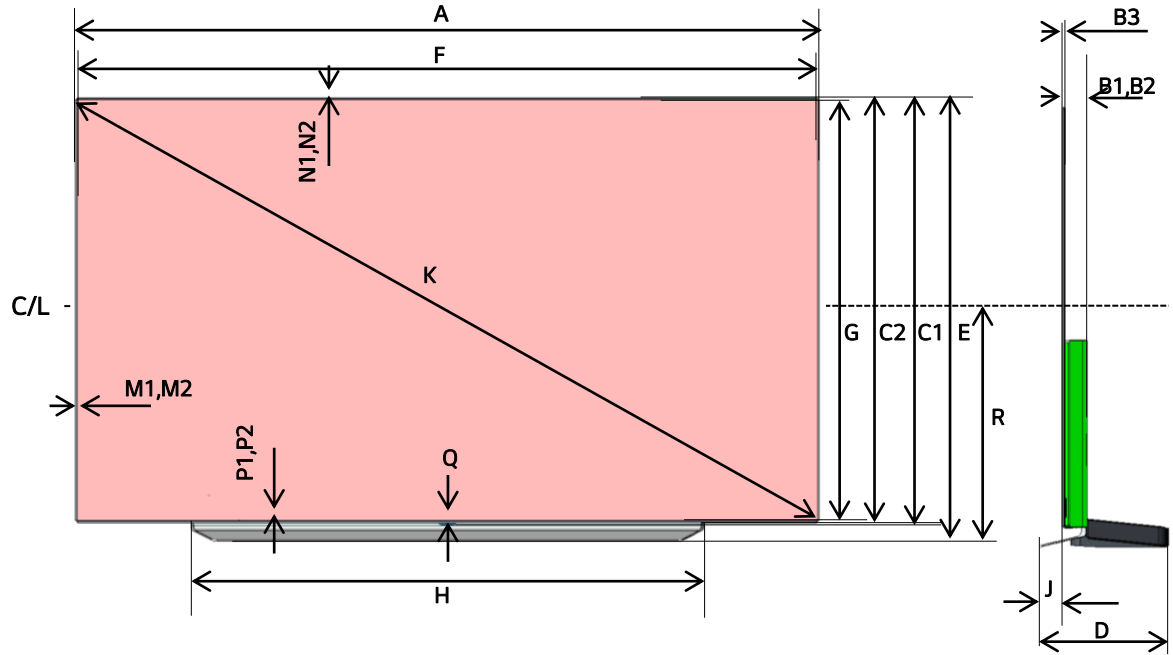


2. Line Drawing
2-3. Front & Side View (83")

| FRONT & STAND (UNIT: mm) | 83" | Remark |
|--|------|---------------|
| A (Set Width : W) | 1851 | W/O Stand |
| B1 (Head Speaker Part Depth : D) | 55.3 | |
| C1 (Head height, Including protrusion: H) | 1062 | With Stand |
| D (Depth, Including Stand) | 279 | |
| E (Height, Including Stand) | 1092 | |
| B2 (Head, thickest depth : Wall mount surf.) | 55.3 | |
| B3 (Head, slimmest depth) | 7.2 | |
| C2 (Head height, Excluding protrusion) | 1055 | |
| F (Cabinet, inside horizontal length) | 1845 | |
| G (Cabinet, inside vertical length) | 1050 | |
| H (Stand, horizontal outer length) | 1199 | |
| J (Head, front surf. ↔ Stand, front end) | 63 | |
| K (Cabinet, inside diagonal length) | 2122 | |
| M1 (Set, L/R Off Bezel) | 3.3 | |
| M2 (Set, L/R On Bezel) | 12.1 | |
| N1 (Set, Top Off Bezel) | 3.3 | |
| N2 (Set, Top On Bezel) | 12.0 | |
| P1 (Set, Bottom Off Bezel) | 3.3 | |
| P2 (Set, Bottom On Bezel) | 16.0 | |
| Q (Bottom On Bezel, Including protrusion) | 22.1 | |
| R (Module Center ↔ Stand bottom) | 565 | |



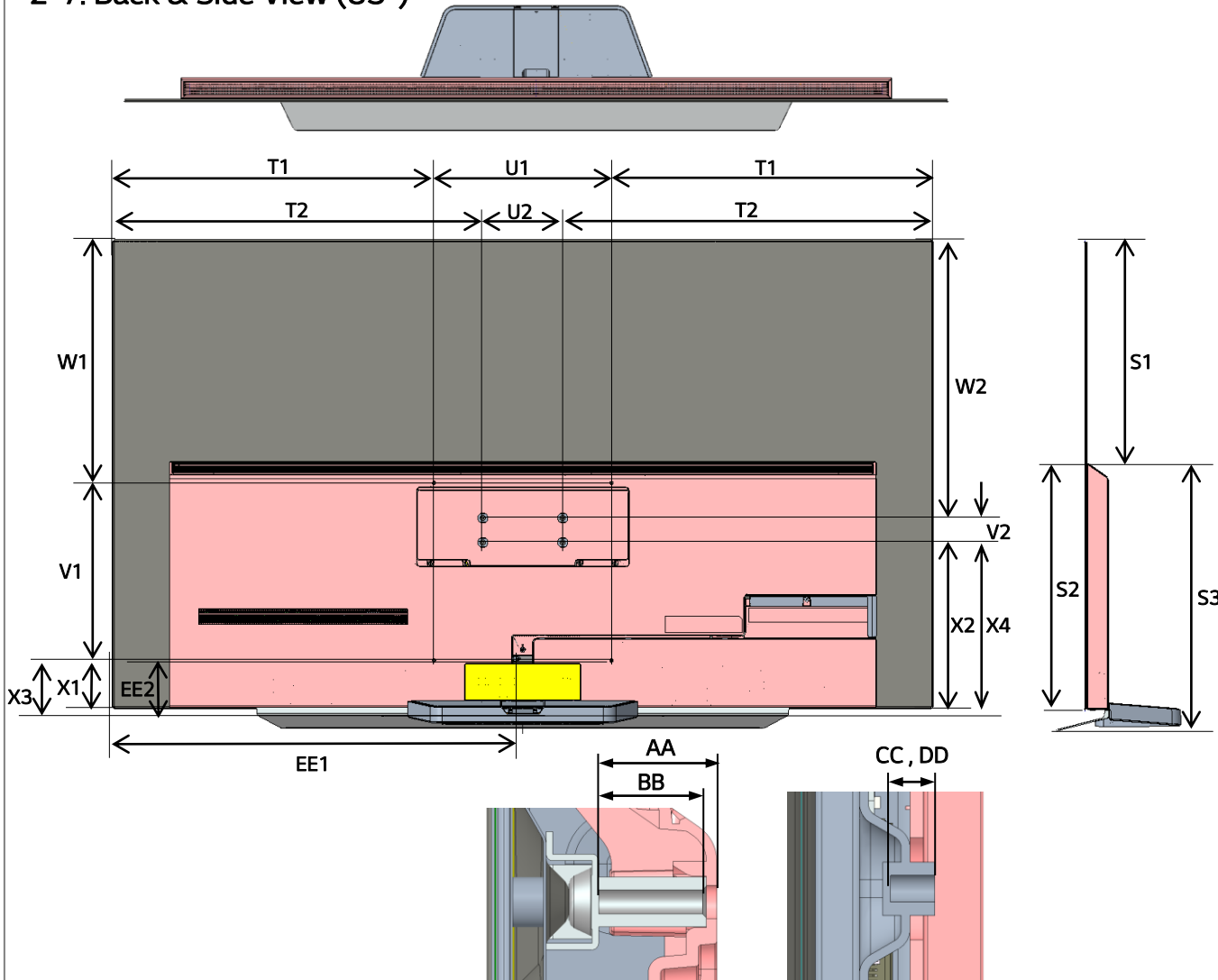
Phone: 914-723-3344

info@valueelectronics.com

Mechanical Product Specification (OLED 83" C3 Series)

2. Line Drawing

2-7. Back & Side View (83")



| BACK (UNIT: mm) | 83" |
|---|------|
| S1 (B/C Top ↔ Set Top) | 500 |
| S2 (B/C Top ↔ Set Bottom) | 556 |
| S3 (B/C Top ↔ Stand Bottom) | 592 |
| T1 (Set Out ↔ Wall mount hole) | 725 |
| T2 (Set Out ↔ Closed Wall mount hole) | 835 |
| U1 (Wall mount Top Width) | 400 |
| U2 (Closed Wall mount Top Width) | 180 |
| V1 (Wall mount Height) | 400 |
| V2 (Closed Wall mount Height) | 55 |
| W1 (Set Top ↔ Wall mount hole) | 547 |
| W2 (Set Top ↔ Closed Wall mount hole) | 626 |
| X1 (Set Bottom ↔ Wall mount hole) | 108 |
| X2 (Set Bottom ↔ Closed Wall mount hole) | 374 |
| X3 (Set Max Bottom ↔ Wall mount hole) | 114 |
| X4 (Set Max Bottom ↔ Closed Wall mount hole) | 380 |
| AA (Wall mount Point Depth, Including B/C Thickness) | 17.5 |
| BB (VESA Bracket, Screw tap depth) | 15.0 |
| CC (Closed Wall mount Point Depth, Including B/C Thickness) | 9.0 |
| DD (Closed Wall Bracket, Screw tap depth) | 9.0 |
| EE1 (Head, Left side ~ Power Cord Hole Center) | 902 |
| EE2 (Head, bottom side ~ Power Cord Hole Center) | 113 |

Phone: 914-723-3344

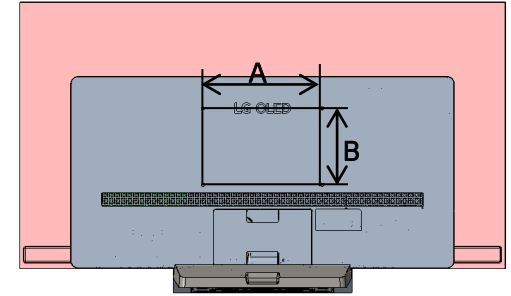
info@valueelectronics.com

Mechanical Product Specification (OLED 83" C3 Series)

3. Accessories

3-3-1. Wall mount

| Inch | VESA (A*B mm) | Slim Type | | Mini type | Ceiling Type |
|------|------------------|-----------|---------|-----------|--------------|
| | | Domestic | Global | Global | |
| 42" | 300*200 | OLW480A | OLW480B | N/A | N/A |
| 48" | 300*200 | OLW480A | OLW480B | N/A | N/A |
| 55" | 300*200 | OLW480A | OLW480B | N/A | N/A |
| 65" | 300*200 | OLW480A | OLW480B | N/A | N/A |
| 77" | 300*200 | OLW480A | OLW480B | N/A | N/A |
| 83" | 400*400 | LSW440A | LSW440B | N/A | N/A |



3-3-2. Wall mount (Use only wall closed Bracket)

| Inch | Screws distance (A*B mm) | Slim Type | | Remark |
|------|-----------------------------|-----------|--------|--------|
| | | Domestic | Global | |
| 83" | 180*55mm | WB21EA | WB21EB | - |



Value Electronics
35 Popham Road
Scarsdale, NY 10583
914-723-3344