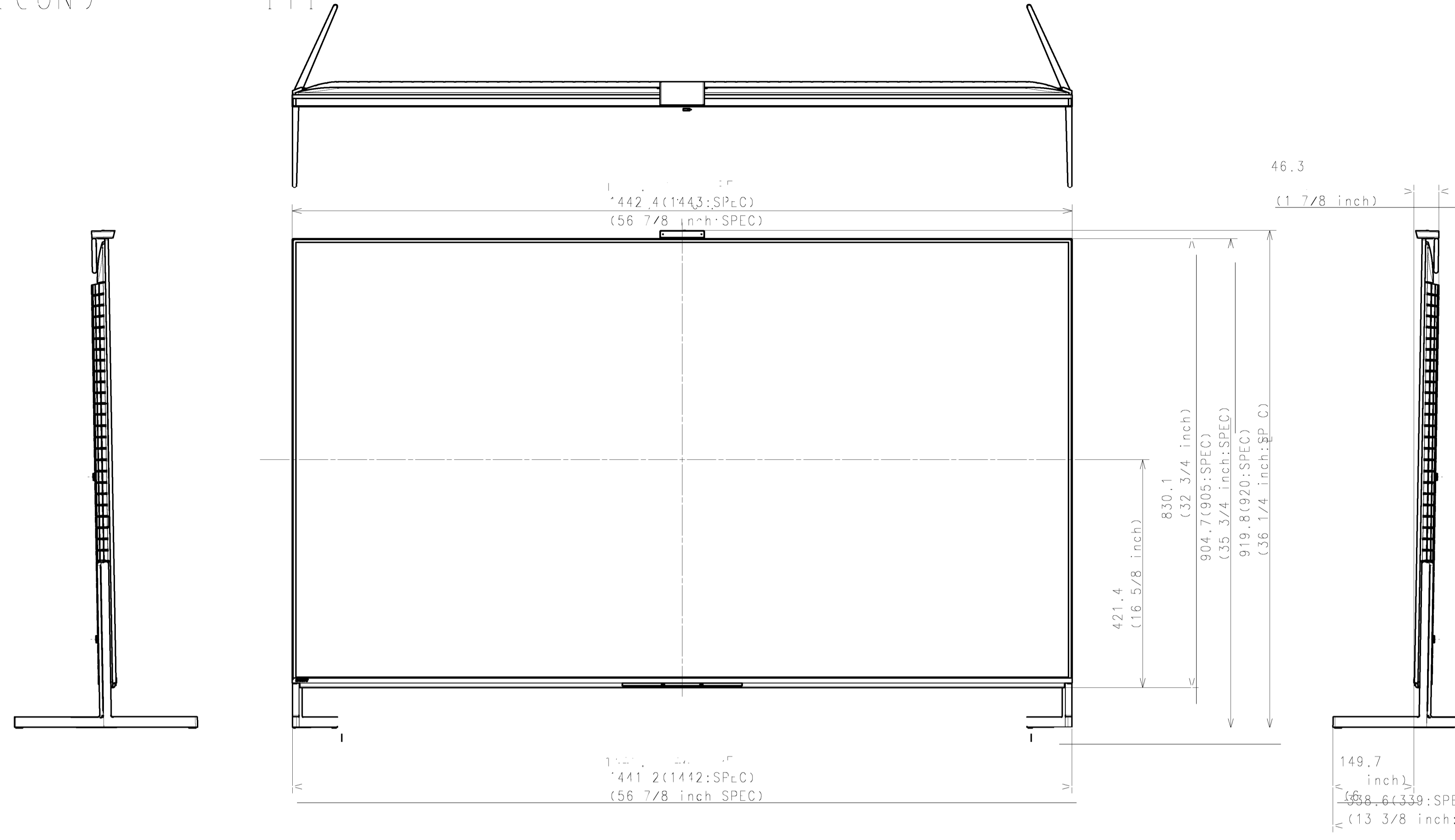
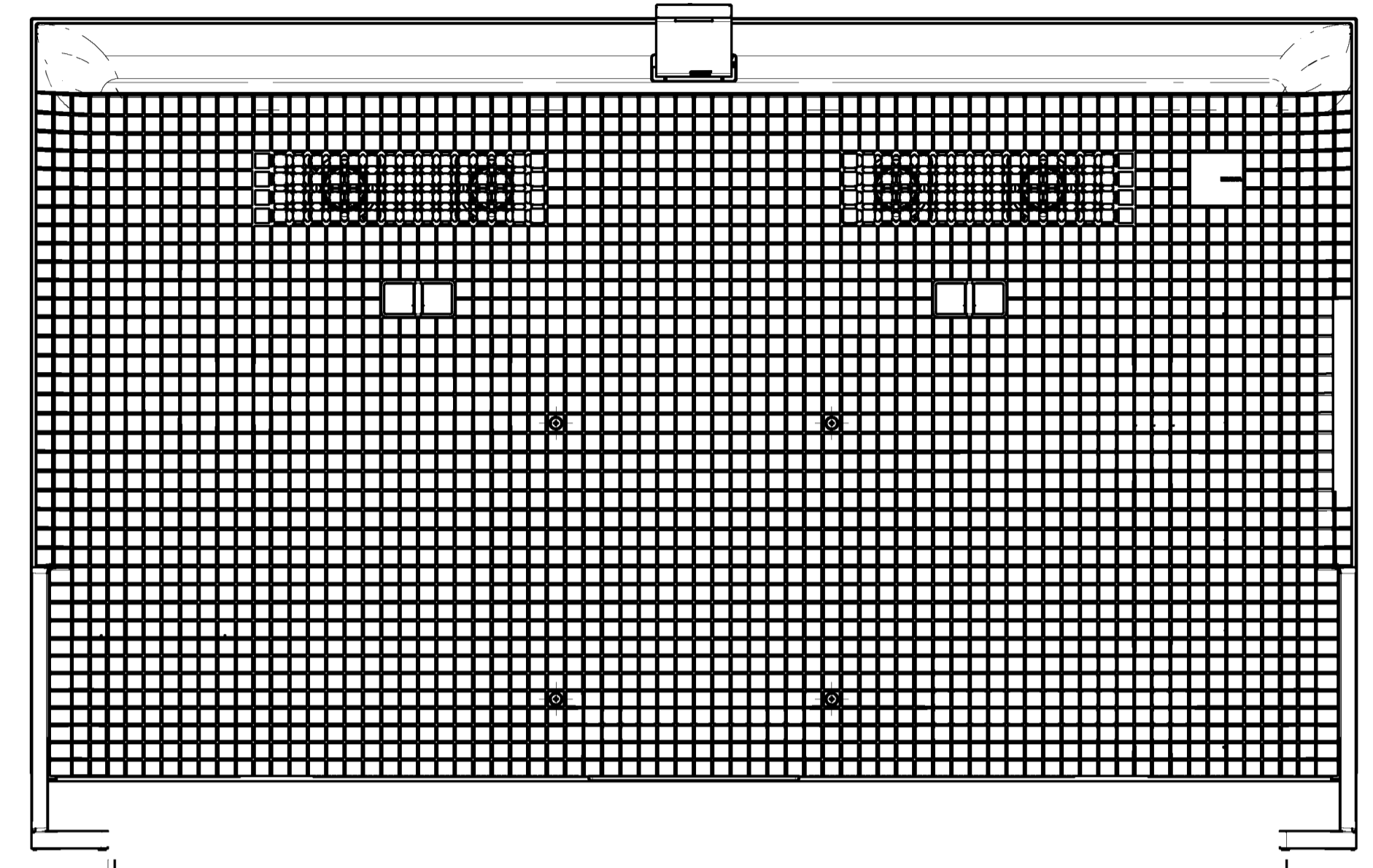


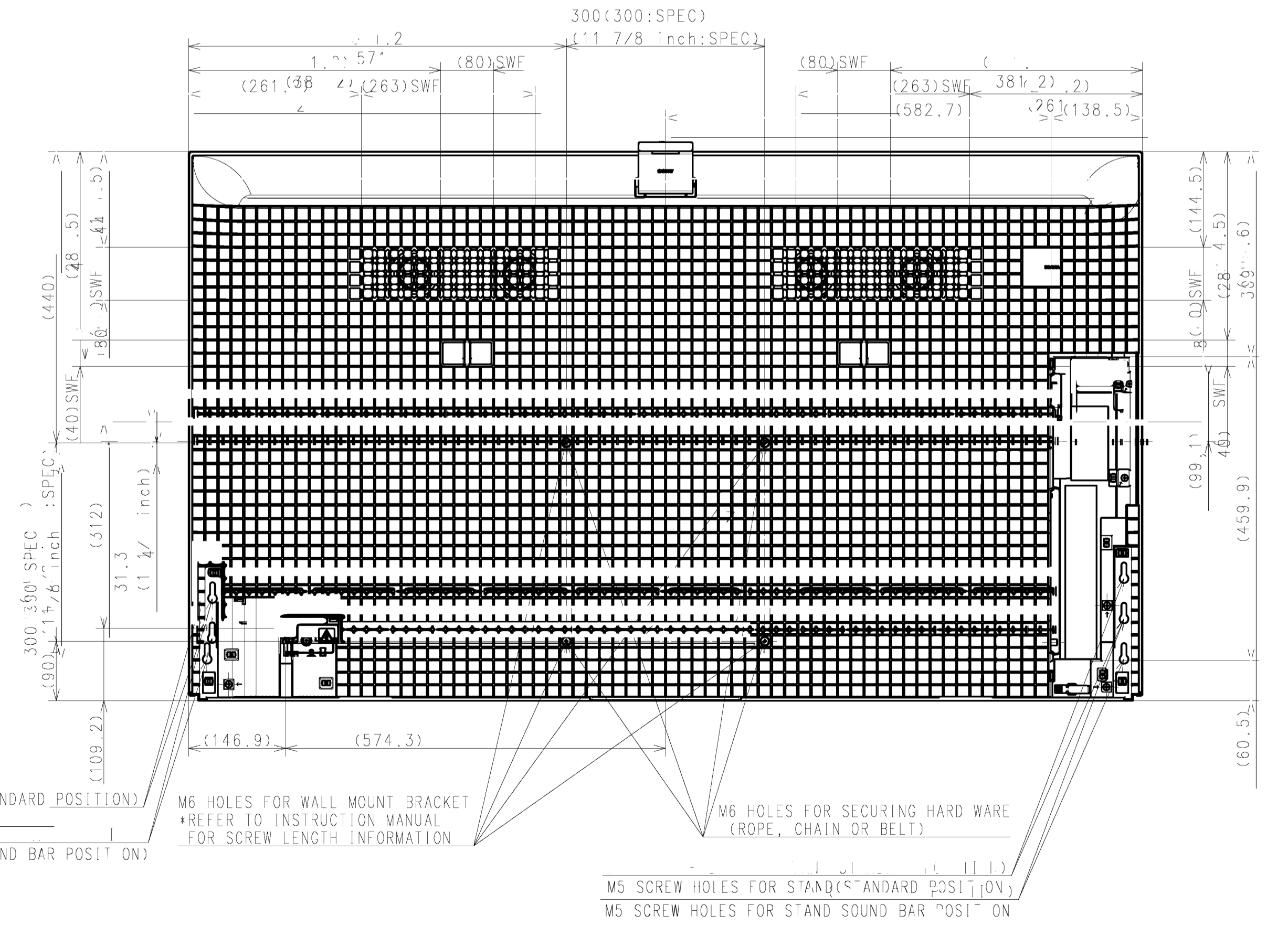
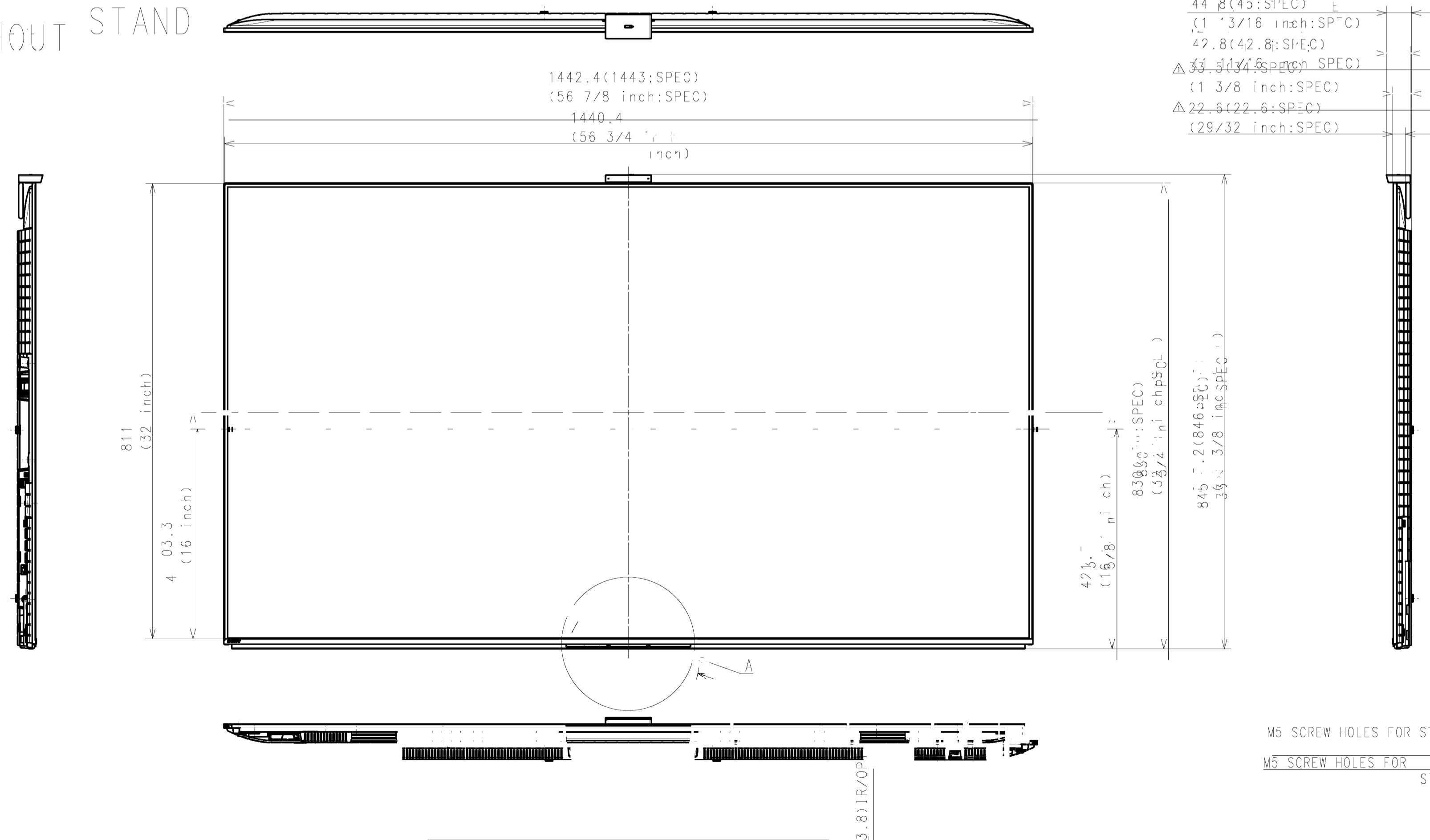
WITH STAND  
(SOUND BAR POSITION)



**Sony 65" A95L Cut Sheet**  
**Value Electronics**  
**Sony Diamond Dealer**



WITHOUT STAND



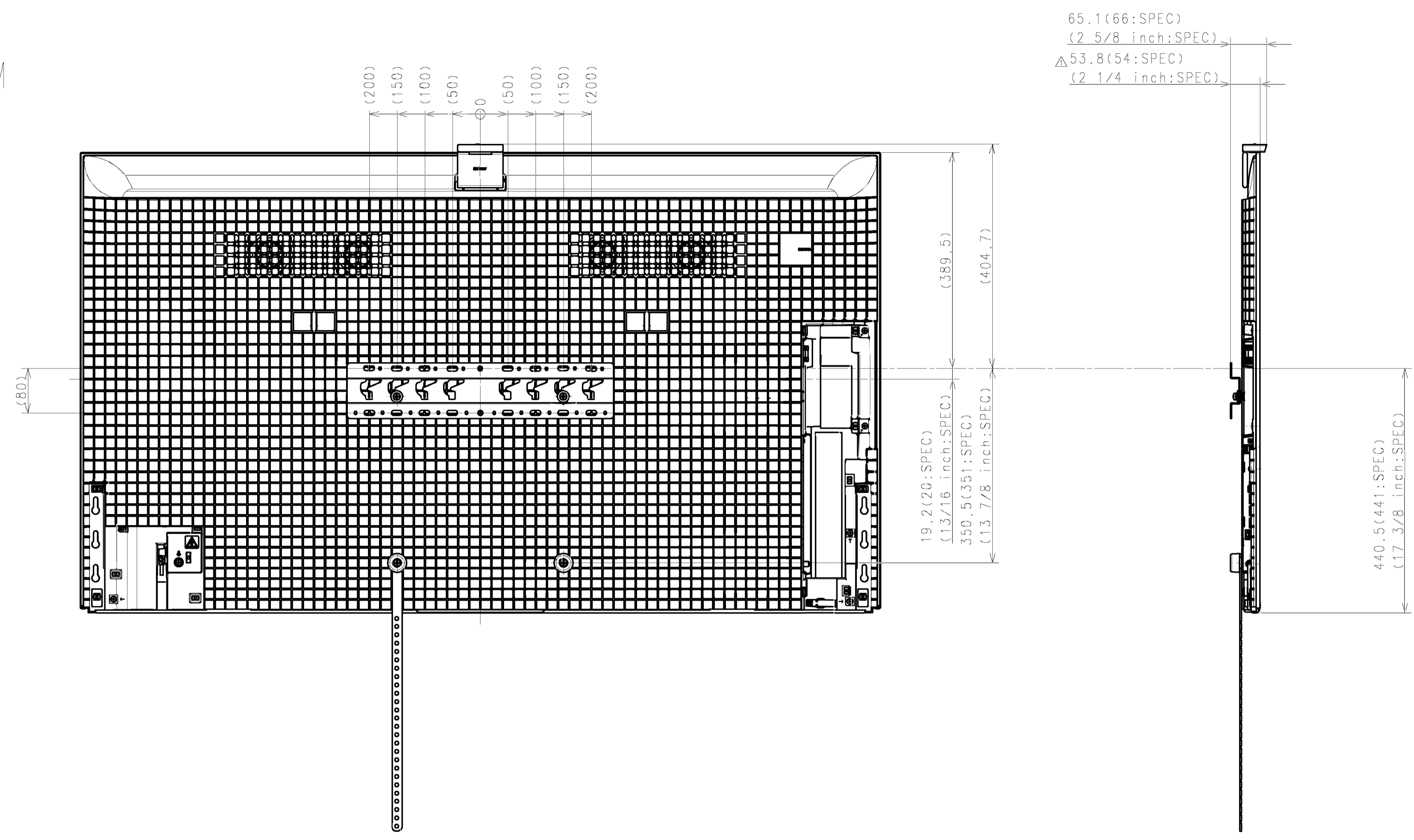
M5 SCREW HOLES FOR STAND (STANDARD POSITION)  
 M5 SCREW HOLES FOR STAND (SOUND BAR POSITION)

M6 HOLES FOR WALL MOUNT BRACKET  
 \*REFER TO INSTRUCTION MANUAL FOR SCREW LENGTH INFORMATION

M6 HOLES FOR SECURING HARDWARE (ROPE, CHAIN OR BELT)  
 M5 SCREW HOLES FOR STAND (STANDARD POSITION)  
 M5 SCREW HOLES FOR STAND (SOUND BAR POSITION)

DESCRIPTION:	65 (A95L) EXTERIOR VIEW	SCALE:	1:1
DESCRIPTION:	65 (A95L) EXTERIOR VIEW	SCALE:	2:1

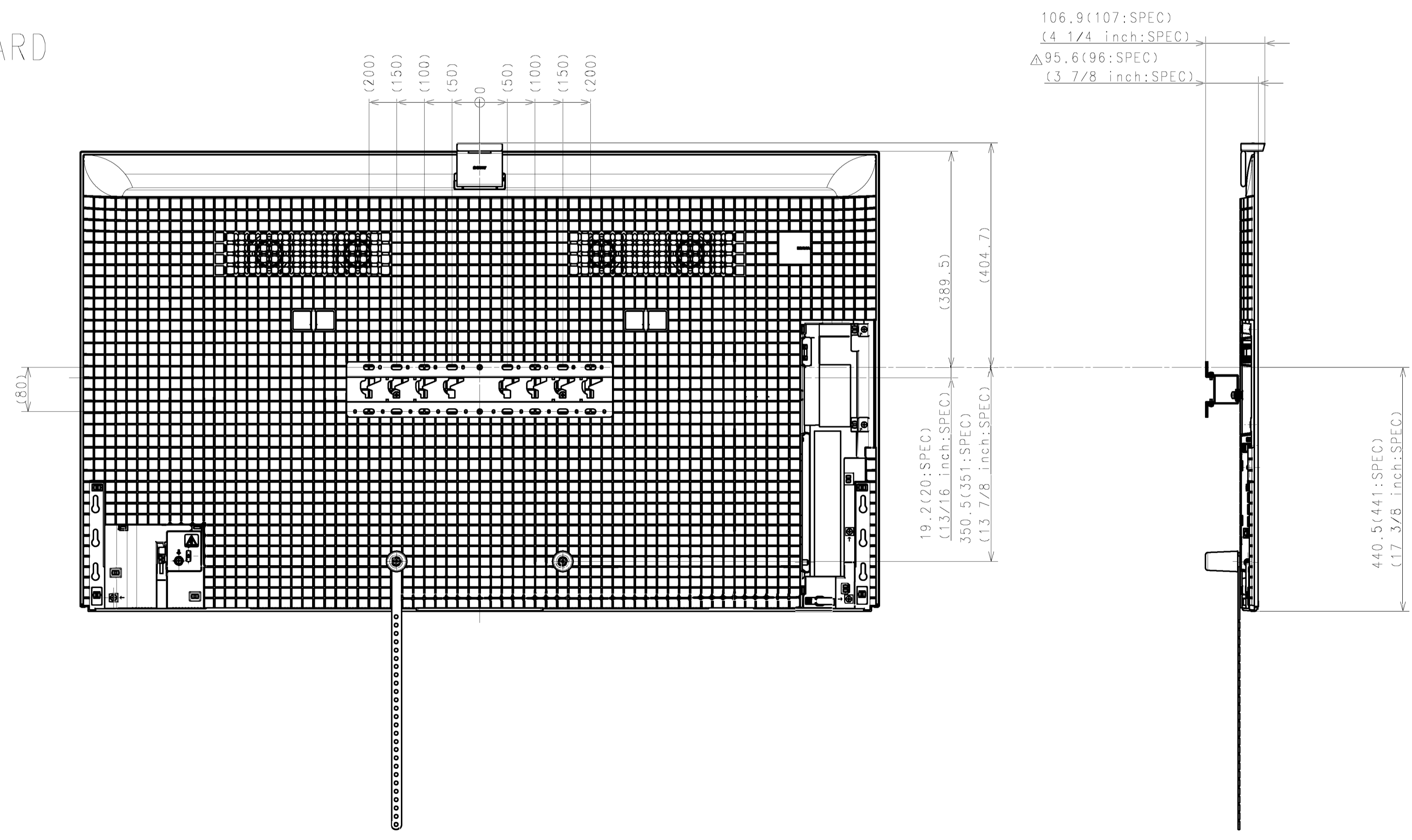
SU-WL450 SLIM



**Sony 65" A95L Cut Sheet**  
**Value Electronics**  
**Sony Diamond Dealer**



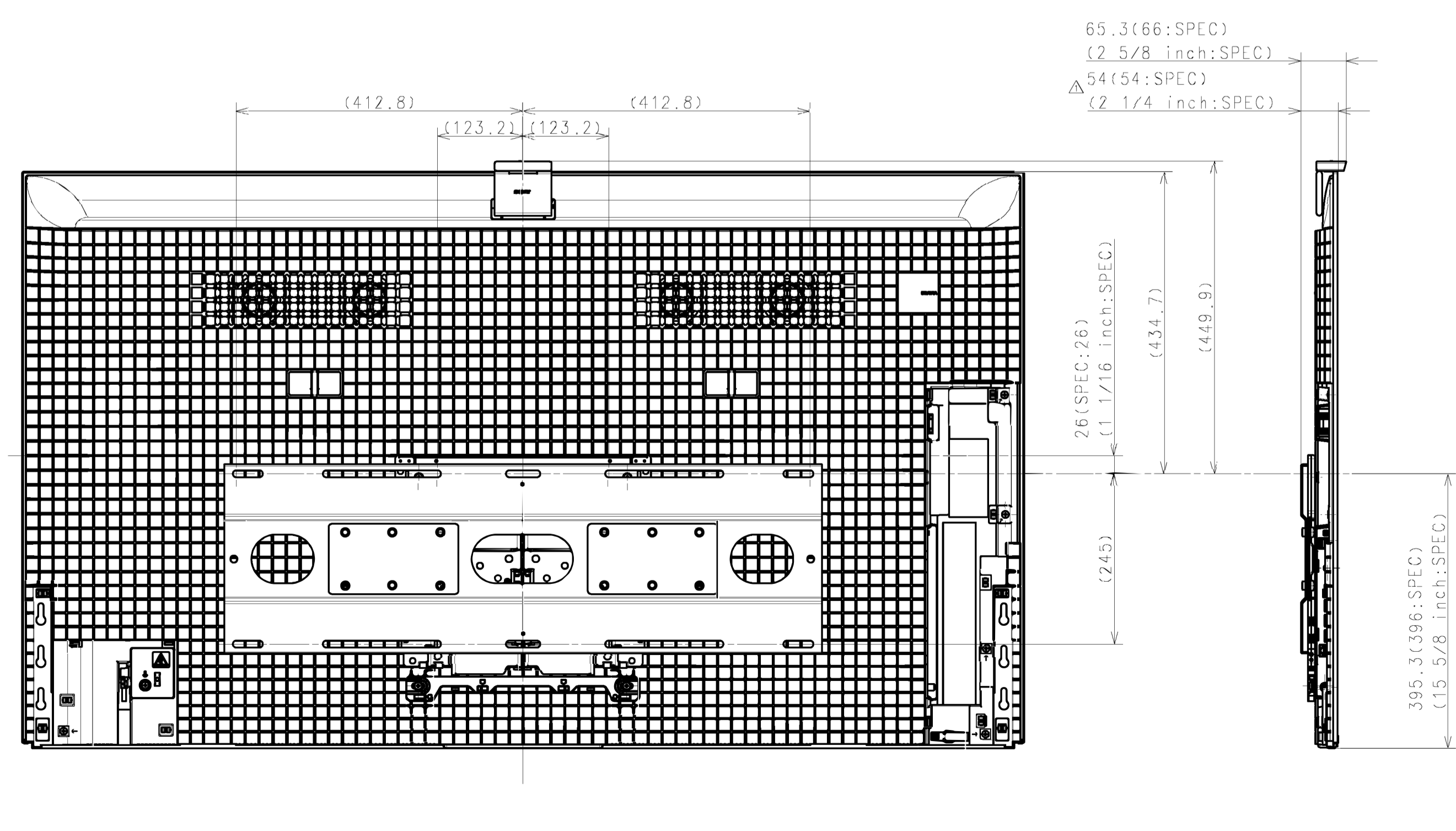
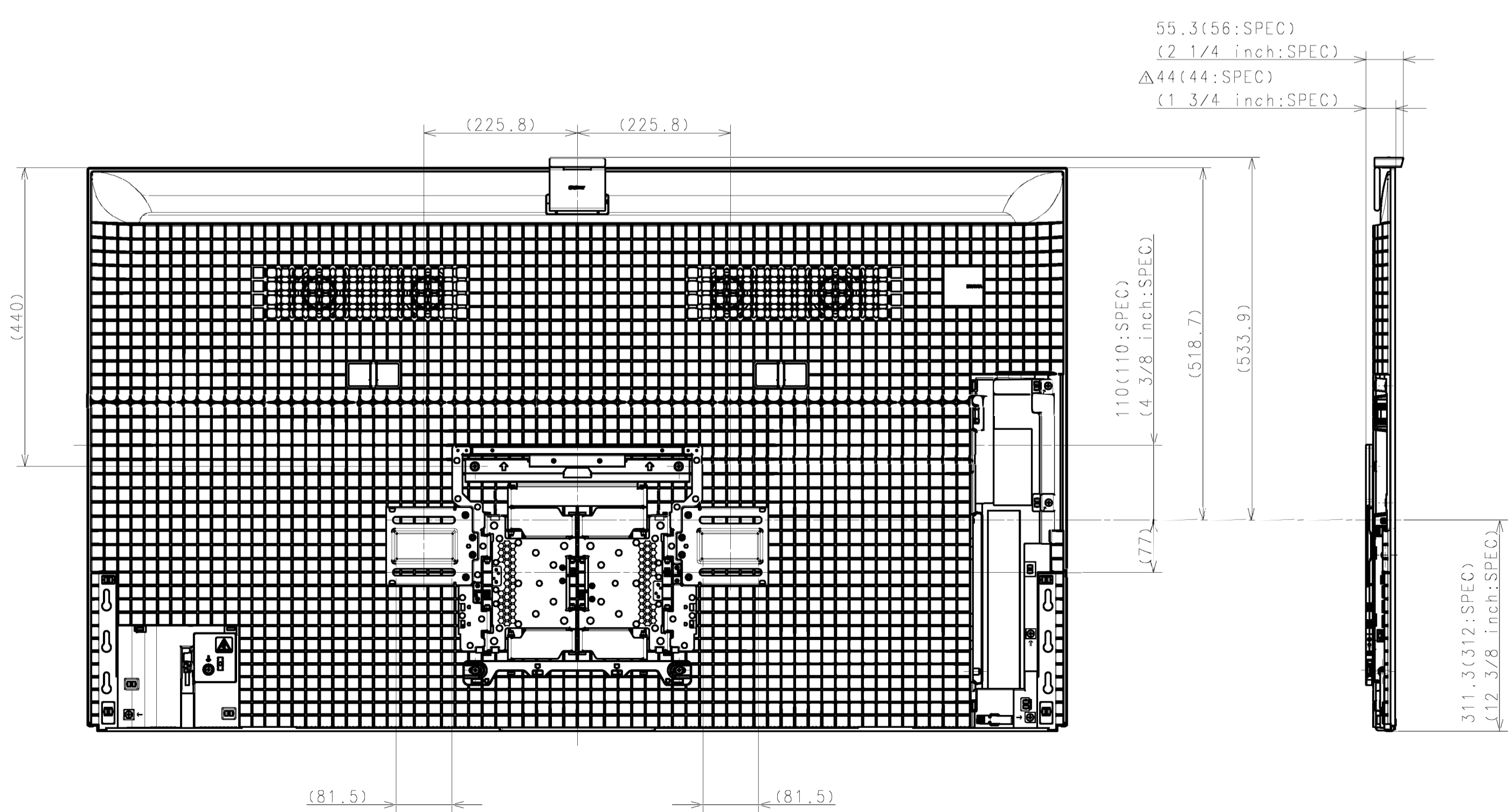
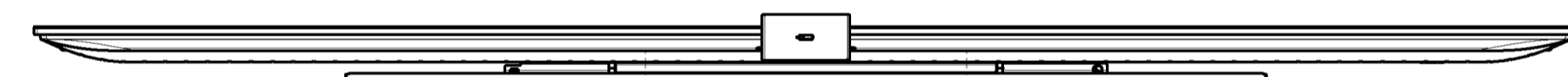
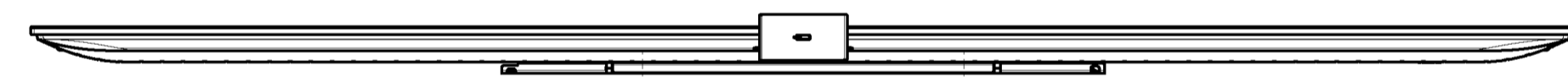
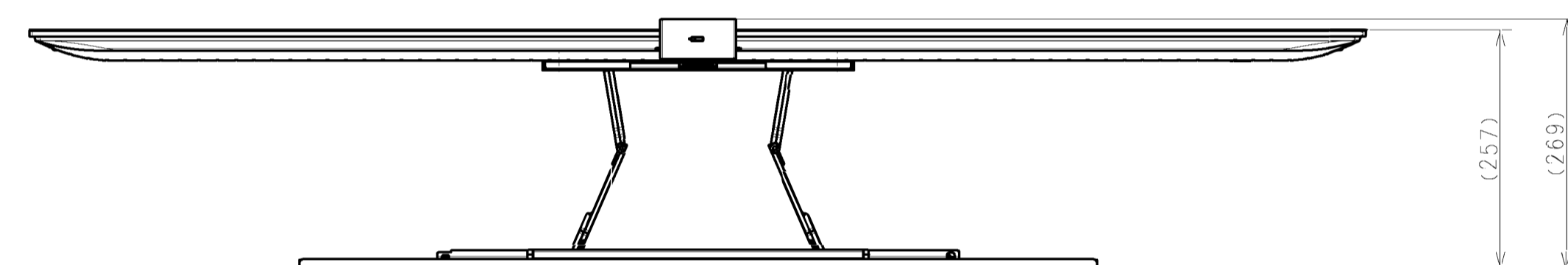
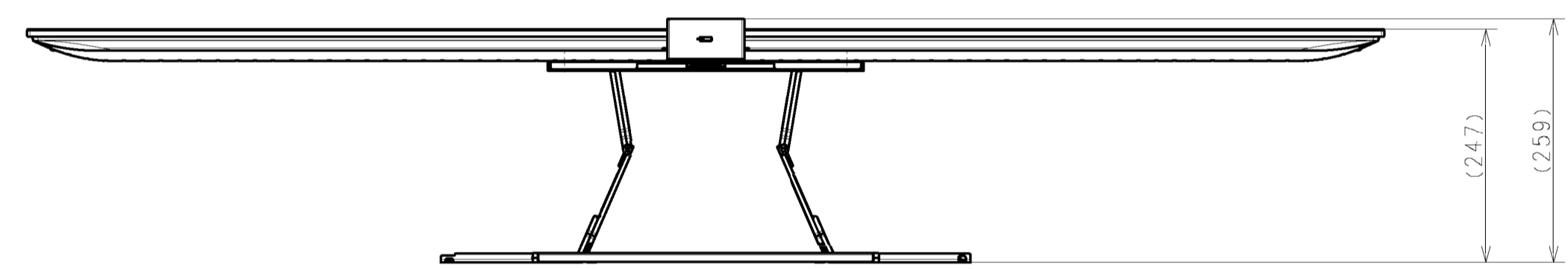
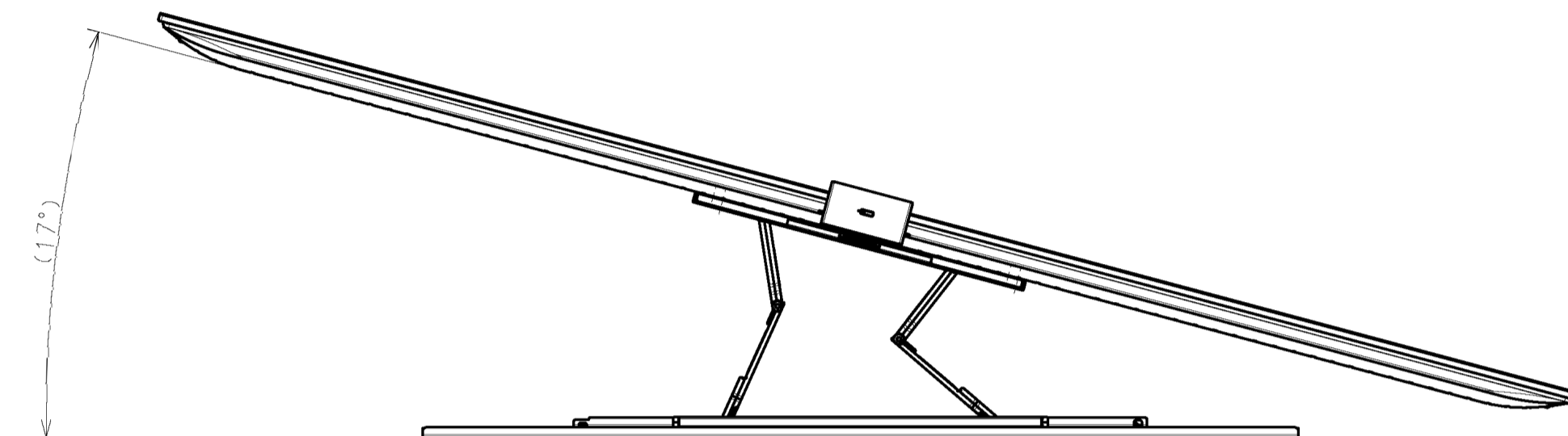
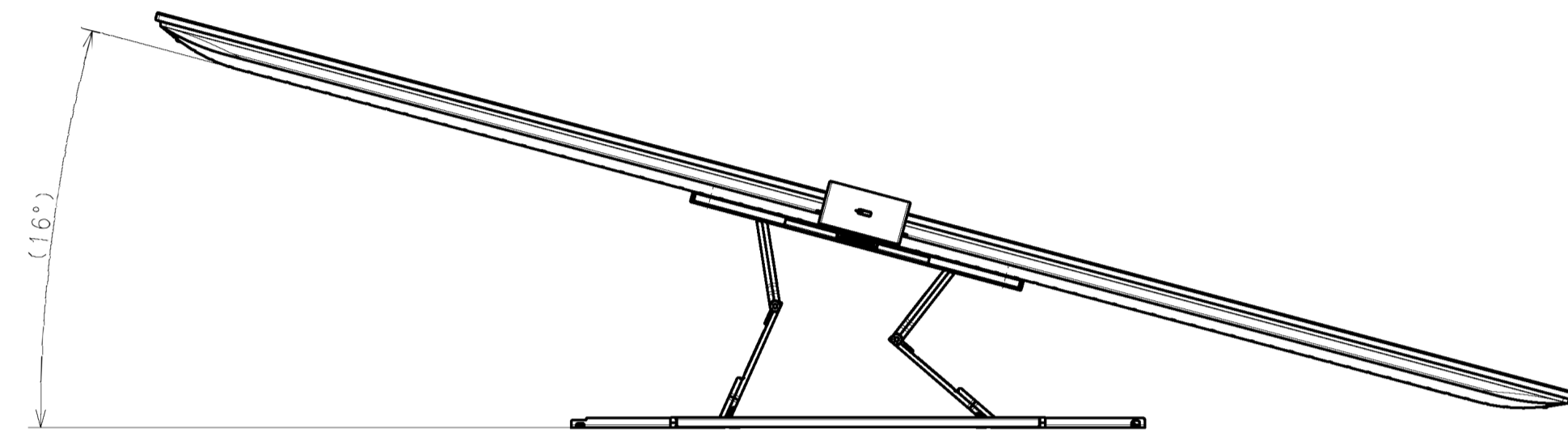
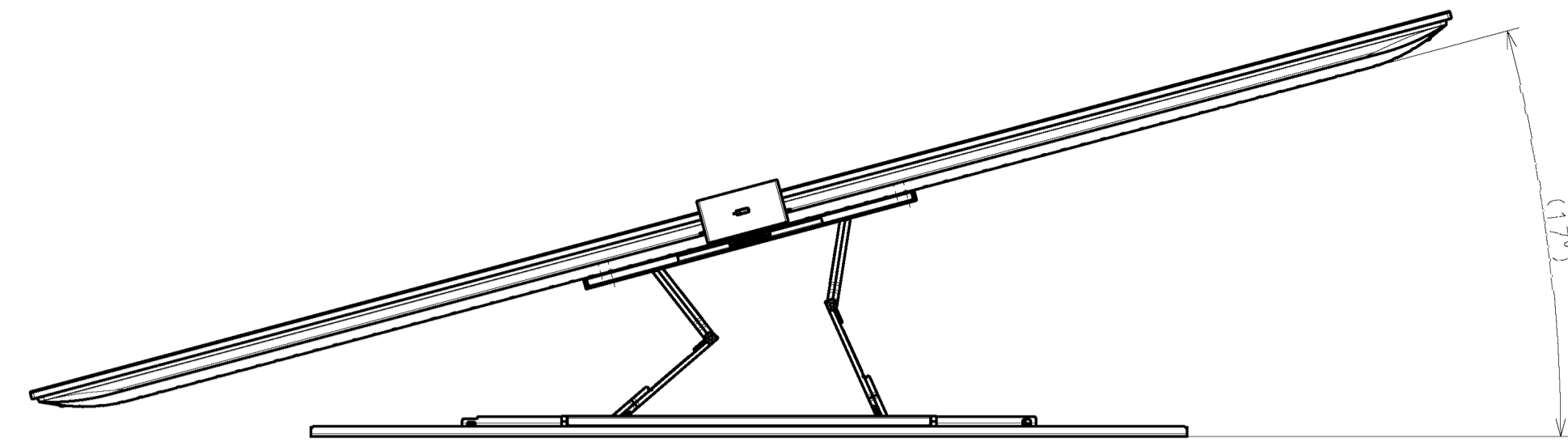
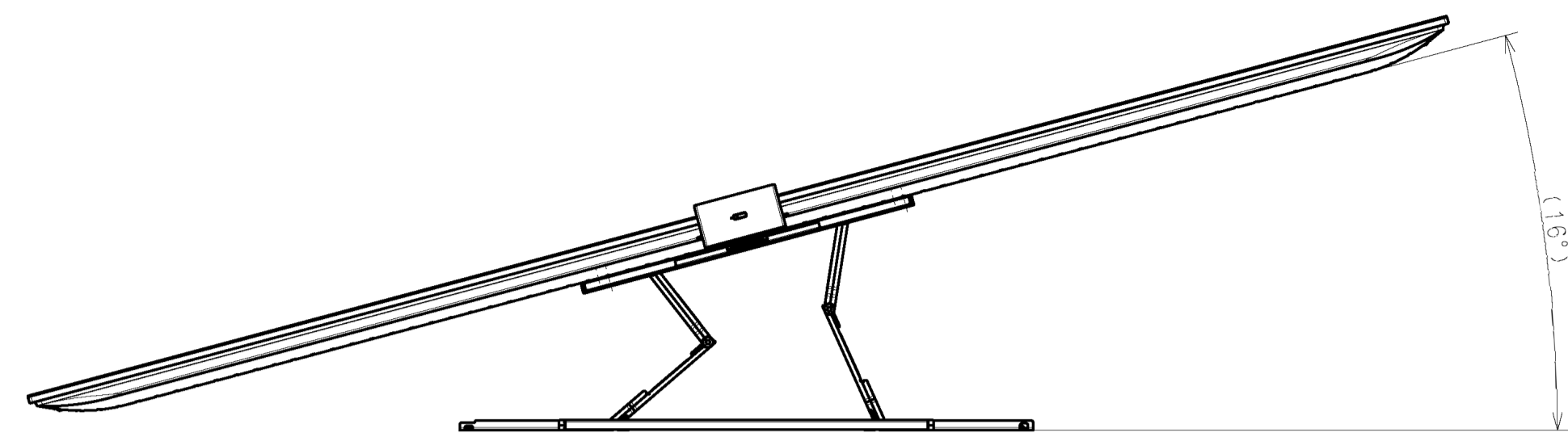
SU-WL450 STANDARD



DESCRIPTION:	65(A95L) EXTERIOR VIEW	DRAWN BY:	Sony Corporation	SCALE:	1:1
DESCRIPTION:	65(A95L) EXTERIOR VIEW	PART NO.:		SHEET/PAGES:	3/4

SU-WL850

SU-WL855 with LATERAL SHAFT BRACKET



SONY STANDARD

DESCRIPTION	65(A95L) EXTERIOR VIEW	TOTAL OWNER	Sony Corporation	SCALE	1:1
DESCRIPTION	65(A95L) EXTERIOR VIEW	PART NO.		SHEET/PAGES	4/4