

# SL-1200M7B

Direct Drive Turntable System

Value Electronics  
Factory Direct Technics Dealer

Technics



Technics for Automobili Lamborghini SL-1200M7B

# Design Inspired by Lamborghini DNA

Technics



The functions of the SL-1200M7B are based on the SL-1200MK7/SL-1210MK7 models, while the design is inspired by Automobili Lamborghini's iconic Y-shape pattern. Orange, Green and Yellow are the available colors of the SL-1200M7B, based on the most iconic liveries of the Italian automotive brand super sports cars.



**Value Electronics - Authorized Technics Dealer**  
**Free Double Boxed Delivery Nationwide!**



# Exclusive gifts

Technics



Purchasers of the SL-1200M7B will be treated to an exclusive gift in the form of a vinyl record featuring the powerful engine and driving sounds of six different Lamborghini V12-engine super sports cars, recorded especially for this project:

- 400GT 2+2
- Miura SV
- 25th Anniversary Countach
- Diablo 6.0 SE
- Murciélago LP 640
- Revuelto

The vinyl itself is a picture disc illustrating the tire of one of Lamborghini's latest models, the Revuelto. Customers can enjoy listening to the engine sounds as the tire spins atop the turntable.

Purchasers of the SL-1200M7B will also receive a slipmat and two stickers with Automobili Lamborghini and Technics logos.





## SL-1200M7B

Direct Drive Turntable System



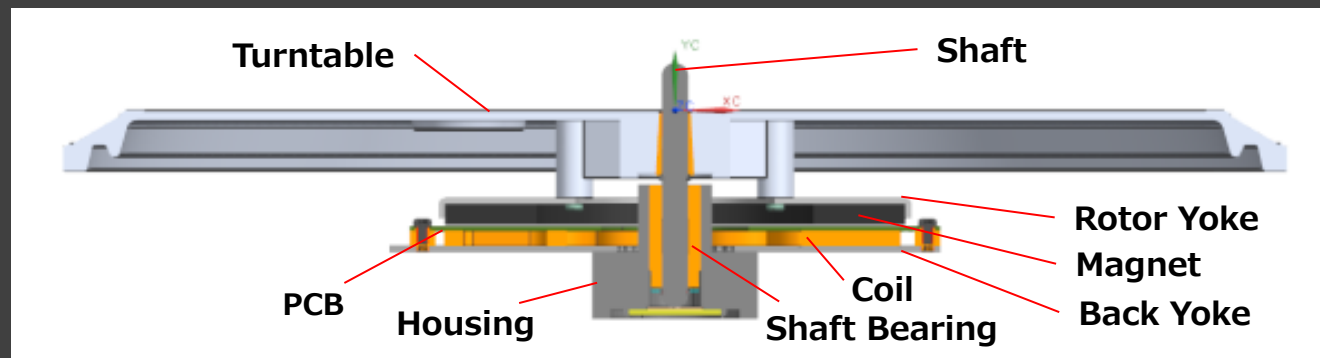
- **DJ turntable with performance and function raised to yet higher levels**
  - Coreless direct drive motor with powerful torque and excellent reliability
  - Audio output and power terminals with detachable cables to allow the use of your favorite phono cable
  - Torque/brake speed adjustment function
  - Reverse play function to expand the breadth of DJ play style
- **Inheriting the exceptional operability of the SL-1200 Series**
  - Adherence to the SL-1200 Series' traditional layout
  - Same renowned operating feel as that of the MK Series
- **High-quality sound reproduction true to the Technics philosophy**
  - Coreless direct drive motor and motor control technology for high rotation stability
  - Two-layer structure platter offering excellent vibration damping performance
  - High-rigidity cabinet and high-damping insulator to shut out vibrations

Achieves both stable rotation and powerful torque

## Coreless Direct Drive Motor

The direct drive system uses a slow-turning motor to directly drive the platter. This system has various advantages. It offers high performance, such as rotation accuracy and powerful torque, does not require replacement of parts and maintains high reliability over a long period of time. On the other hand, the direct drive system was said to produce a rotation irregularity called cogging. For the SL-1200M7B, a new coreless direct drive motor was developed. This motor employs a coreless stator. The removal of the core (iron core) from the stator eliminated the root cause of cogging. Furthermore, the magnetic force of the rotor magnets was improved to the highest possible level, and the gap between the coreless stator and rotor magnets was optimised, thus achieving high torque performance equaling that of the SL-1200MK5.

Boasting smooth rotation and powerful torque, this motor reproduces sound accurately and faithfully from the groove on an analogue record.



Made possible by cutting-edge motor control technology

## Starting Torque/Brake Speed Adjustment Function

The SL-1200M7B employs the newest motor control technology refined through the development of Blu-ray disc products. Utilising a microcomputer, this advanced motor control technology ensures high performance in normal rotation and also responds accurately to a wide range of DJ play styles, such as scratching.

The starting torque and brake speed can be adjusted individually to suit the user's preference.

Enables accurate and stable pitch adjustment

## Pitch Control Function

The rotation speed can be set to 33-1/3 rpm, 45 rpm or 78 rpm.\* The pitch control function allows fine adjustment of the rotation speed within  $\pm 8\%$ / $\pm 16\%$ . This function achieves accurate and stable pitch control thanks to full digital control with improved tracking performance and accuracy.

\* To use the 78 rpm speed, the switch on the main unit must be turned on.

Accurately reads the signal stored in the record groove

## High Sensitive Tonearm

The tonearm, which is responsible for accurately reading the signal by tracking the groove on the phonorecord, is a static-balance universal S-shape tonearm, another Technics tradition. The tonearm pipe is made of lightweight, high-rigidity aluminium. The bearing section of the gimbal suspension construction tonearm consists of a machined housing and high-precision bearing to assure excellent tracking performance with minimum stylus jumping even in harsh playing conditions such as scratching.

Prevents cable discontinuity and allows the use of your favourite phono cable

## Power/Phono Cable Terminals

The power and phono cable terminals allow detachment of the cables. The phono terminals are gold-plated to minimise sound quality degradation. Since the terminals allow disconnection of the cables, maintenance of the cables is easier, and your favourite phono cable can be connected to let you enjoy the change in sound quality resulting from a different cable.



Expands the breadth of DJ play styles

## Reverse Play Function

The platter rotates in the reverse direction when the speed selector button and Start/Stop button are pressed simultaneously. This expands the breadth of DJ play styles.

- \*To use the reverse play function, the switch on the main unit must be turned on.
- \* The phono cartridge used must support scratch play.

## Stylus Illuminator Featuring a High-brightness and Long-life LED

The stylus illuminator features a new push-type structure, and employs a high-brightness and long-life white LED. The illumination area and intensity were reviewed to provide improved visibility of the stylus tip compared to previous models even in a dark environment.



**Value Electronics - Factory Direct Authorized Technics Dealer**

**Phone: 914-723-3344 - email: [sales@ValueElectronics.com](mailto:sales@ValueElectronics.com)**

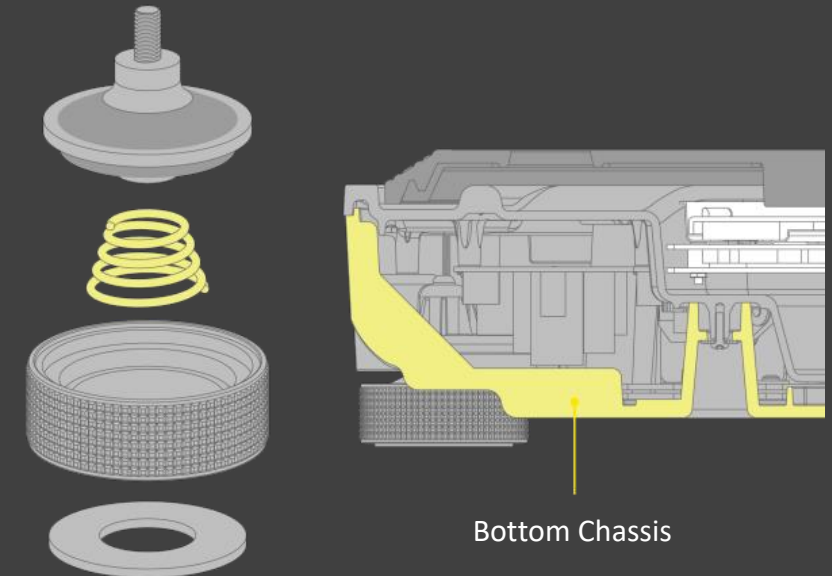


Cabinet featuring an anti-vibration construction for thorough shut-out of all vibrations

## High Rigidity Cabinet and High Damping Insulator

The chassis, an essential part for reducing external vibrations, inherits the audio quality enhancement technology fostered through the development of high-end turntables. The aluminum die-cast chassis is rigidly integrated with a special material consisting of ABS mixed with glass fiber to achieve a two-layer construction. The combination of this special high-rigidity material and a metal chassis raised the rigidity and vibration-damping performance to higher levels, realizing a robust cabinet for beautiful sound reproduction.

The insulator is comprised of a spring and rubber to provide optimal frequency characteristics. This not only assures high sound quality and superb howling resistance, but also effectively shuts out external vibrations under high sound level conditions.



**Value Electronics - Factory Direct Authorized Technics Dealer**

**Phone: 914-723-3344 - email: [sales@ValueElectronics.com](mailto:sales@ValueElectronics.com)**